

COMPACT DISC PLAYER CDX-580/880

SERVICE MANUAL

IMPORTANT NOTICE

This manual has been provided for the use of authorized YAMAHA Retailers and their service personnel. It has been assumed that basic service procedures inherent to the industry, and more specifically YAMAHA Products, are already known and understood by the users, and have therefore not been restated.

WARNING: Failure to follow appropriate service and safety procedures when servicing this product may result in personal injury, destruction of expensive components and failure of the product to perform as specified. For these reasons, we advise all YAMAHA product owners that all service required should be performed by an authorized YAMAHA Retailer or the appointed service representative.

IMPORTANT: The presentation or sale of this manual to any individual or firm does not constitute authorization, certification or recognition of any applicable technical capabilities, or establish a principle-agent relationship of any form.

The data provided is believed to be accurate and applicable to the unit(s) indicated on the cover. The research, engineering, and service departments of YAMAHA are continually striving to improve YAMAHA products. Modifications are, therefore, inevitable and specifications are subject to change without notice or obligation to retrofit. Should any discrepancy appear to exist, please contact the distributor's Service Division.

WARNING: Static discharges can destroy expensive components. Discharge any static electricity your body may have accumulated by grounding yourself to the ground buss in the unit (heavy gauge black wires connect to this buss).

IMPORTANT: Turn the unit OFF during disassembly and parts replacement. Recheck all work before you apply power to the unit.

■ CONTENTS

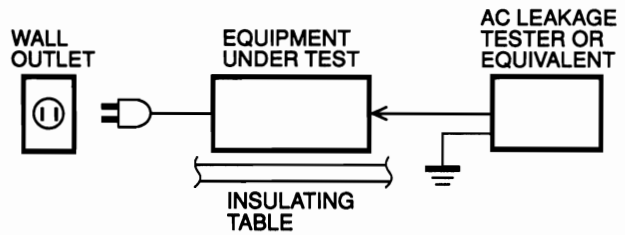
TO SERVICE PERSONNEL	1~2
INTERNAL VIEW	2
FRONT PANELS	3
MEMORY BACKUP	3
REAR PANELS	4
SPECIFICATIONS	5
BLOCK DIAGRAM	6~7
DISASSEMBLY PROCEDURES	8
STANDARD OPERATION CHART	9~10
TEST MODE	11~12
ERROR MESSAGE	13~15

TEST POINT WAVEFORMS	16
IC DATA	17~20
DISPLAY DATA	21
CDX-880 PRINTED CIRCUIT BOARD	22~25
IC BLOCK	26~27
CDX-880 SCHEMATIC DIAGRAM	28
CDX-580 SCHEMATIC DIAGRAM	29
CDX-580 PRINTED CIRCUIT BOARD	30~33
PARTS LIST	34~47
REMOTE CONTROL TRANSMITTER	48

■ TO SERVICE PERSONNEL

1. Critical Components Information.

Components having special characteristics are marked and must be replaced with parts having specifications equal to those originally installed.



CAUTION: USE OF CONTROLS OR ADJUSTMENTS OR PERFORMANCE OF PROCEDURES OTHER THAN THOSE SPECIFIED HEREIN MAY RESULT IN HAZARDOUS RADIATION EXPOSURE.

THE COMPACT DISC PLAYER SHOULD NOT BE ADJUSTED OR REPAIRED BY ANYONE EXCEPT PROPERLY QUALIFIED SERVICE PERSONNEL.

PROTECTION OF EYES FROM LASER BEAM DURING SERVICING

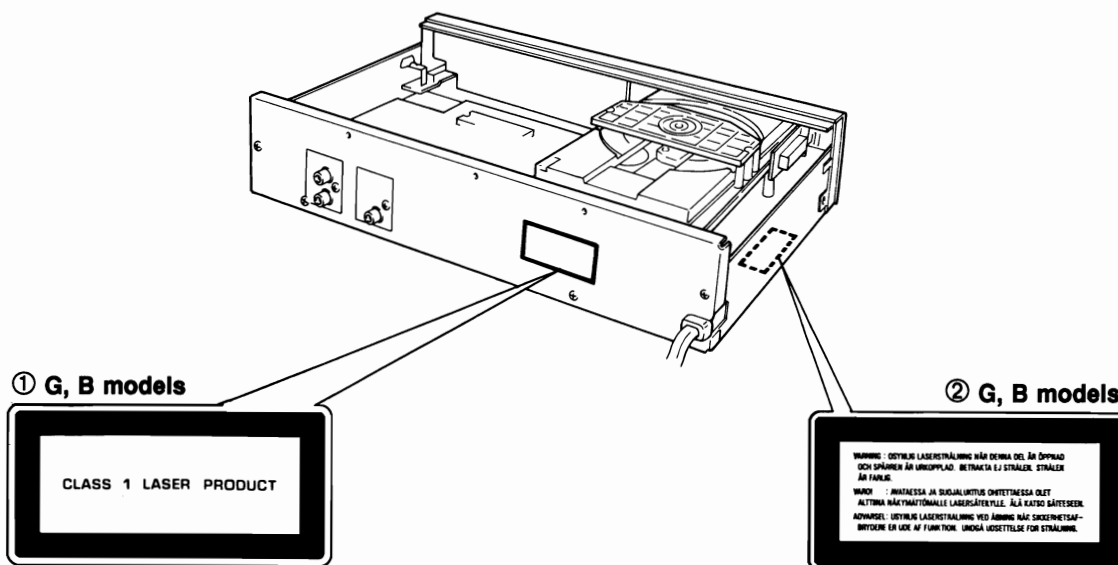
This set employs a laser. Therefore, be sure to carefully follow the instructions below when servicing .

1. Laser Diode Properties

- Material : GaAlAs
- Wavelength : 780 nm
- Emission Duration : Continuous
- Laser Output : max. 44.6 μ W*

* This output is the value measured at a distance of about 200 mm from the objective lens surface on the Optical Pick-up Block.

2. When checking the laser diode emission, keep your eyes more than 30 cm away from the objective lens.



CDX-580
CDX-880

English

- ① THIS LABEL (SEE POSITION SHOWN IN THE ILLUSTRATION) INFORMS THE USER THAT THE APPARATUS CONTAINS A LASER COMPONENT.
- ② THIS LABEL (SEE POSITION SHOWN IN THE ILLUSTRATION) WARNS THAT ANY FURTHER PROCEDURE WILL BRING THE USER INTO EXPOSURE WITH THE LASER BEAM.
- CAUTION : USE OF CONTROLS, ADJUSTMENTS OR PERFORMANCE OF PROCEDURES OTHER THAN THOSE SPECIFIED HEREIN, MAY RESULT IN HAZARDOUS RADIATION EXPOSURE.

Swedish

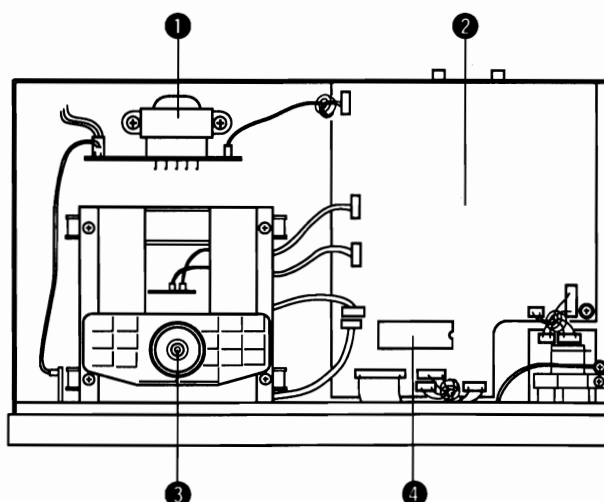
- ① DENNA MÄRKNING (SE FIGUR) UPPLYSER OM ATT DET I APPARATEN INGÅR EN LASERKOMPONENT AV TYP KLASS 1.
- ② VARNINGSMÄRKNING (SE FIGUR) FÖR STRÅLNING. INGREPP I APPARATEN BÖR ENDAST FÖRETAGAS AV FACKMAN MED KÄNNEDOM OM LASER. APPARATEN INNEHÅLLER EN LASERKOMPONENT SOM AVGER STRÅLNING ÖVERSTIGANDE GRÄNSEN FÖR LASERKLASS 1.
- VARNING : OSYNLIG LASERSTRÅLNING NÄR DENNA DEL ÄR ÖPPNAD : BETRAKTA EJ STRÅLEN.

Danish

- ① DETTE MÆRKAT ER ANBRAGT SOM VIST I ILLUSTRATIONEN FOR AT ADVARE BRUGEREN OM AT APPARATET INDEHOLDER EN LASERKOMPONENT.
- ② DETTE MÆRKAT OM LASEREN ER ANBRAGT PÅ APPARATET SOM EN OPLYSNING OM AT APPARATET INDEHOLDER ET LASERKOMPONENT.
- ADVARSEL : INDGREG BOR KUN FORETAGES AF EN FAGMAND DA DER ER RISIKO FOR RADIOAKTIV STRÅLING.
- ADVARSEL : USYNLIG LASERSTRÅLING VED ÅBNING.
UNDGÅ UDSAETTELSE FOR STRÅLING.

Finnish

VARO! :
AVATTAESSA OLET ALTTIINA NÄKYMÄTTÖMÄLLE LASERSÄTEILYLLE. ÄLÄ KATSO SÄTEESEEN.

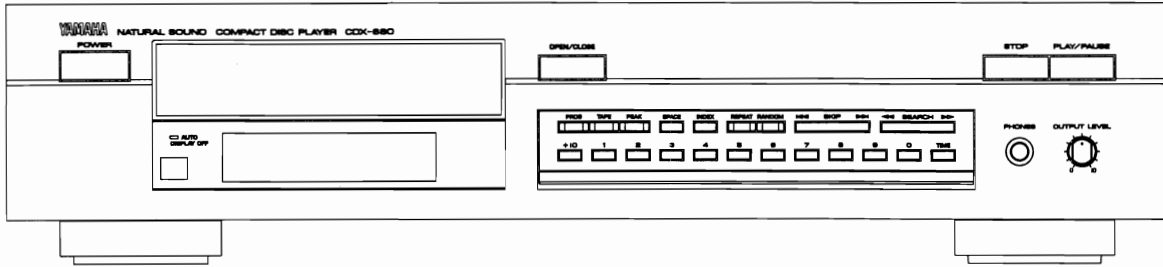
INTERNAL VIEW

- ① P.C.B. MAIN (5)
- ② P.C.B. MAIN (1)
- ③ CDX MECHANISM UNIT
- ④ 4BIT μ -COM (IC12)

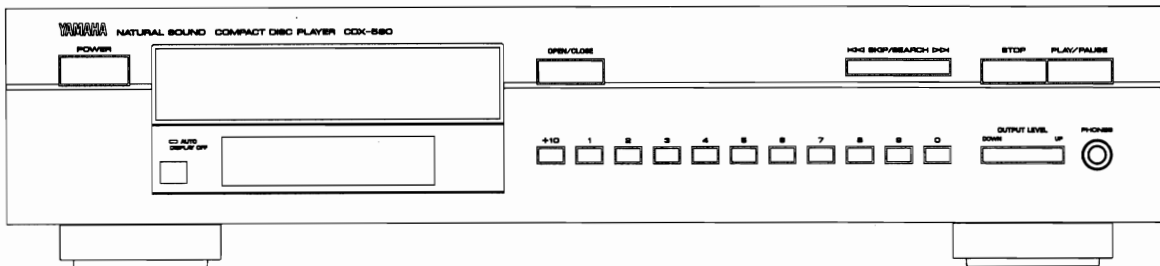
CDX-580
CDX-880

■ **FRONT PANELS**

● **CDX-880**



● **CDX-580**



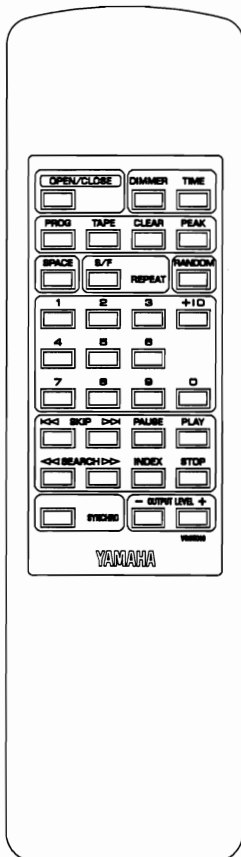
● **CDX-880/580**

■ **MEMORY BACKUP**

After the Power is turned OFF, some functions are kept in memory.

Functions kept in memory are :

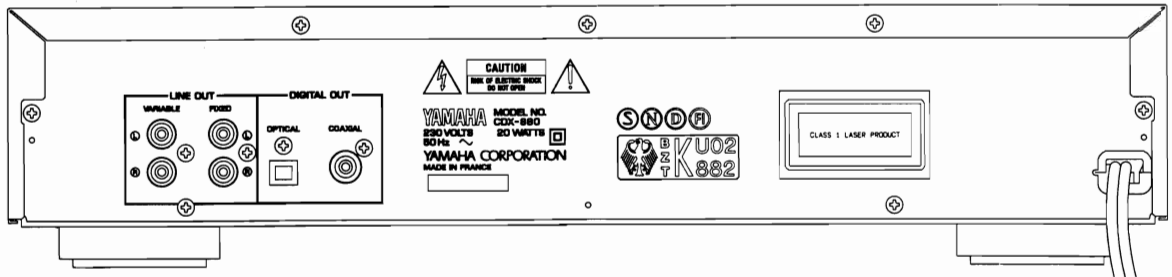
- OUTPUT LEVEL
- DIMMER
- FULL REPEAT
- RANDOM MODE
- TIME MODE
- AUTO SPACE



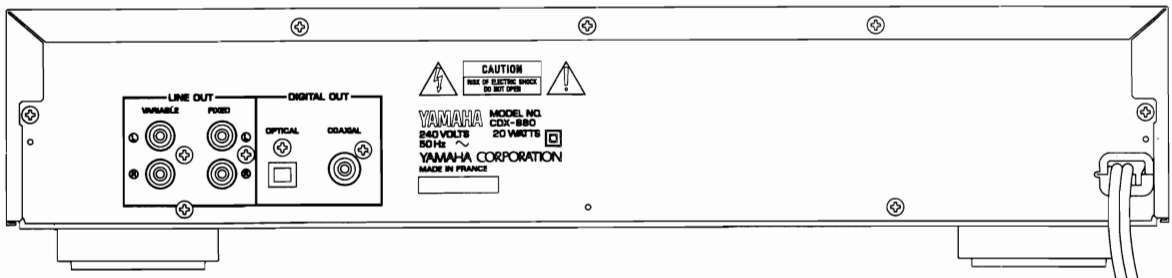
CDX-580
CDX-880

■ **REAR PANELS**

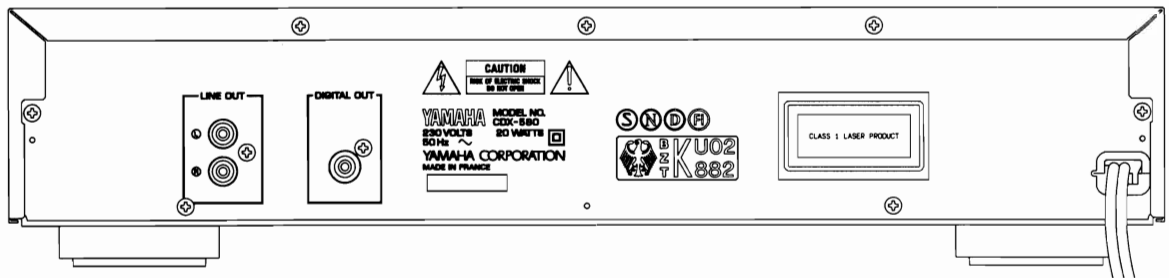
▼ **CDX-880 G model**



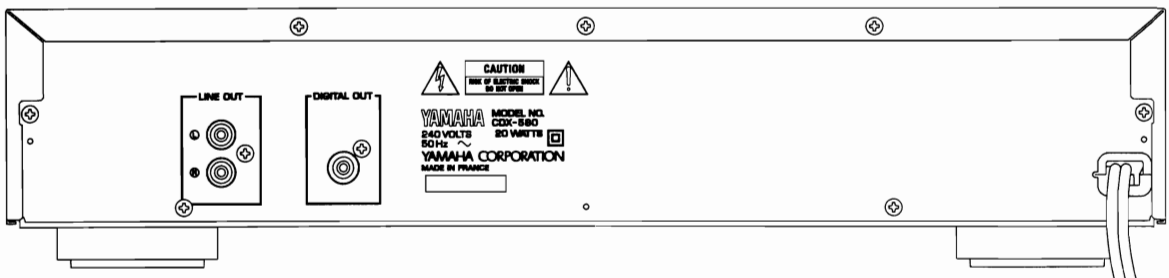
▼ **CDX-880 B model**



▼ **CDX-580 G model**



▼ **CDX-580 B model**



CDX-580/880

CDX-580
CDX-880

CDX-880 SPECIFICATIONS

Output Level 1kHz, 0dB	2.0±0.5Vrms
Signal to Noise Ratio (EIAJ)	118dB
Dynamic Range	98dB
Harmonic Distortion+Noise (1kHz)	0.002%
Frequency Response 2Hz — 20kHz	±0.3dB
Headphone Output 150Ω, 1kHz, -20dB Input	300mV±50mV
Power Requirements G model B model	230V AC 50Hz 240V AC 50Hz
Power Consumption	20W
Dimensions (W x H x D)	435 x 96 x 281mm (17-1/8" x 3-3/4" x 11-1/16")
Weight	4.1kg (9 lbs)
Accessories	Pin plug code Remote control transmitter (Dry-cell : x 2: Size "AA", R06)

*Specifications are subject to change without notice.

B *British model*
G *European model*

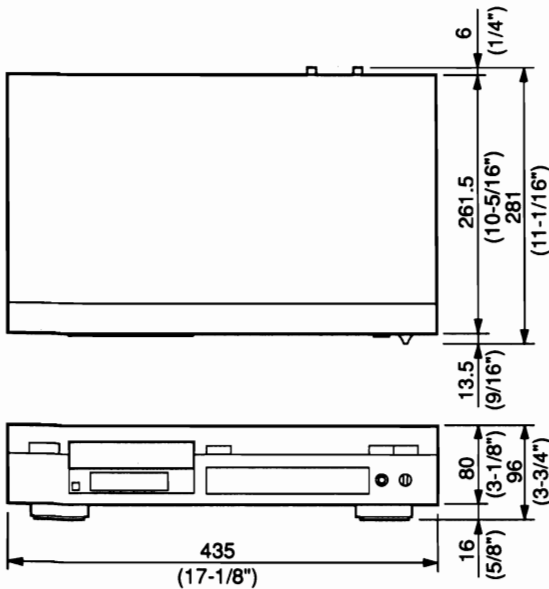
CDX-580 SPECIFICATIONS

Output Level 1kHz, 0dB	2.0±0.5Vrms
Signal to Noise Ratio (EIAJ)	115dB
Dynamic Range	98dB
Harmonic Distortion+Noise (1kHz)	0.0025%
Frequency Response 2Hz — 20kHz	±0.5dB
Headphone Output 150Ω, 1kHz, -20dB Input	200mV±40mV
Power Requirements G model B model	230V AC 50Hz 240V AC 50Hz
Power Consumption	20W
Dimensions (W x H x D)	435 x 96 x 272mm (17-1/8" x 3-3/4" x 10-11/16")
Weight	3.8kg (8 lbs 6 oz)
Accessories	Pin plug code Remote control transmitter (Dry-cell : x 2: Size "AA", R06)

*Specifications are subject to change without notice.

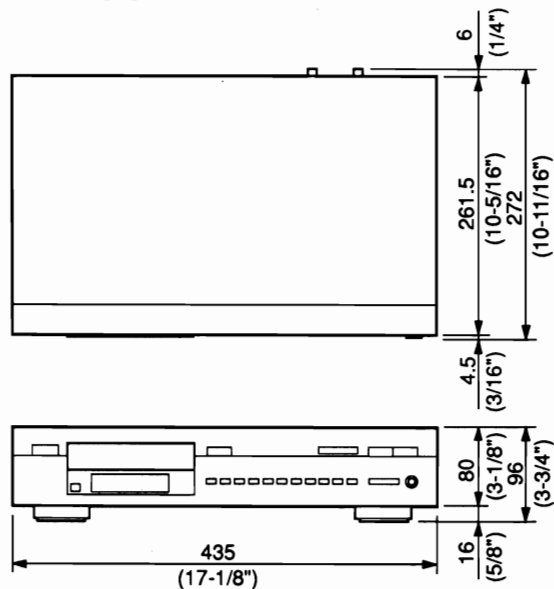
B *British model*
G *European model*

● DIMENSION



Unit : mm (inch)

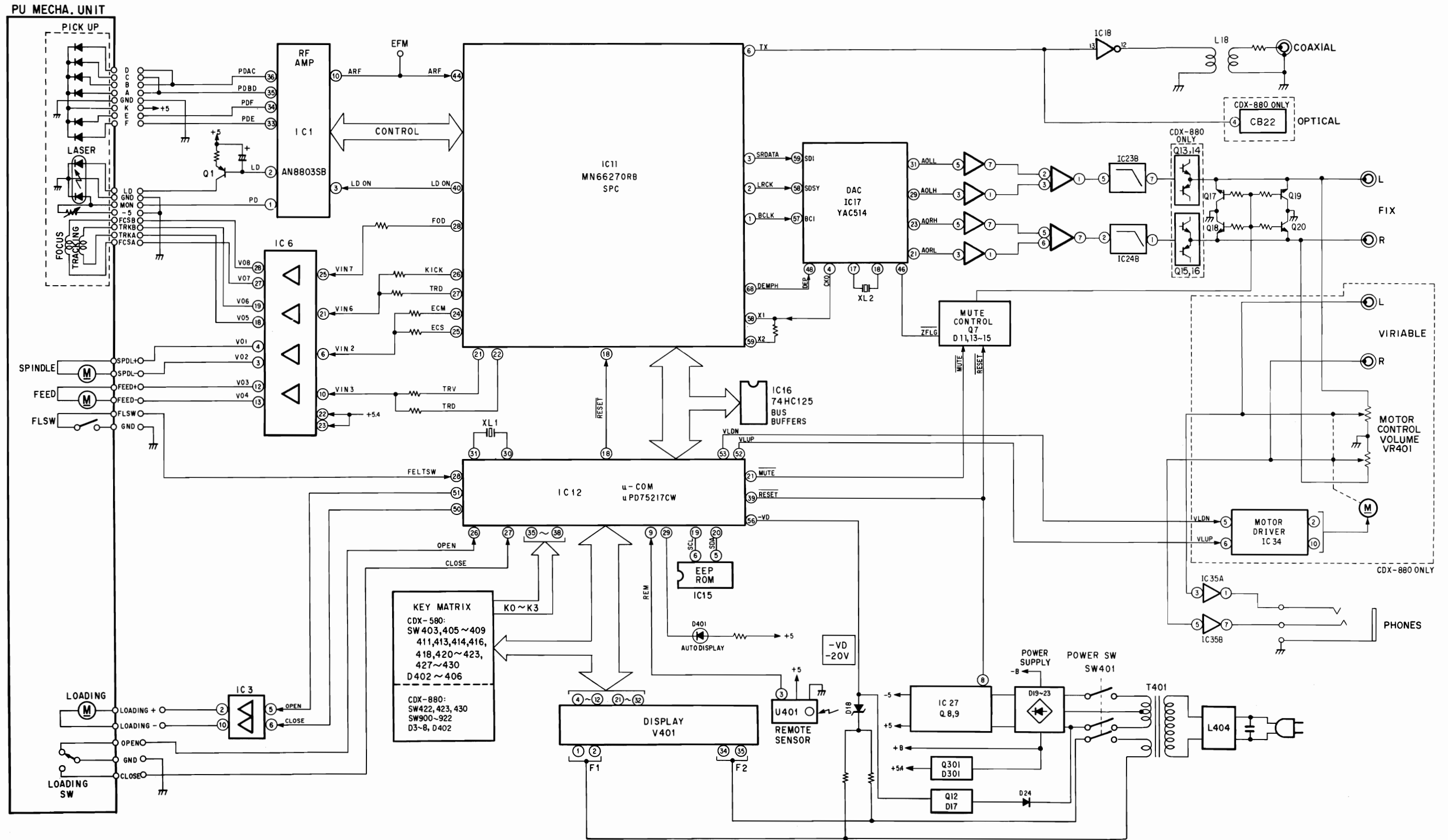
● DIMENSION



Unit : mm (inch)

CDX-580
CDX-880

■ BLOCK DIAGRAM



DISASSEMBLY PROCEDURES

(Remove parts in disassembly order as numbered.)

1. Removal of Top Cover

- a. Remove 4 screws (①) and 3 screws (②) in Fig. 1.
- b. Lift the Top Cover to the back side and move it rearward slantingly.

2. Removal of Front Panel

- a. Remove connectors.
CDX-880 ... #6, #8, #9, #10, #11, #12, #13
CDX-580 ... #6, #7, #11, #13
- b. Remove 3 screws (③), 2 screws (④) and 2 screw (⑤) in Fig. 1.
- c. Remove 2 hooks and then pull the Front Panel forward.

3. Removal of CDX Mechanism Unit

- a. Remove 4 connectors (#2, #3, #4, #5) in Fig. 2.
- b. Remove 5 screws (⑥) in Fig. 1.

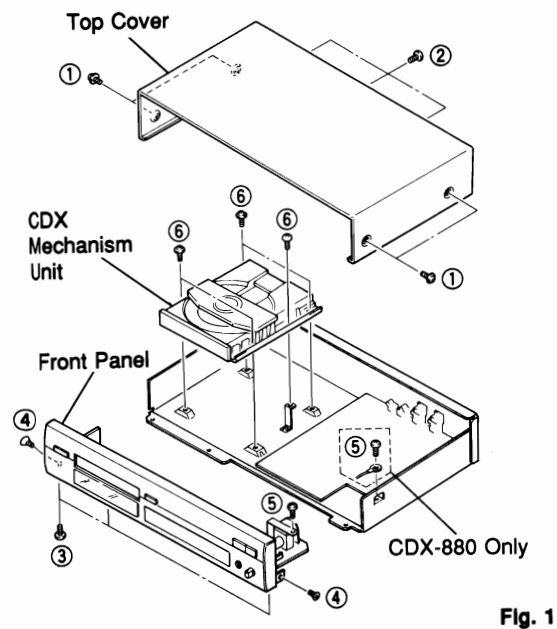


Fig. 1

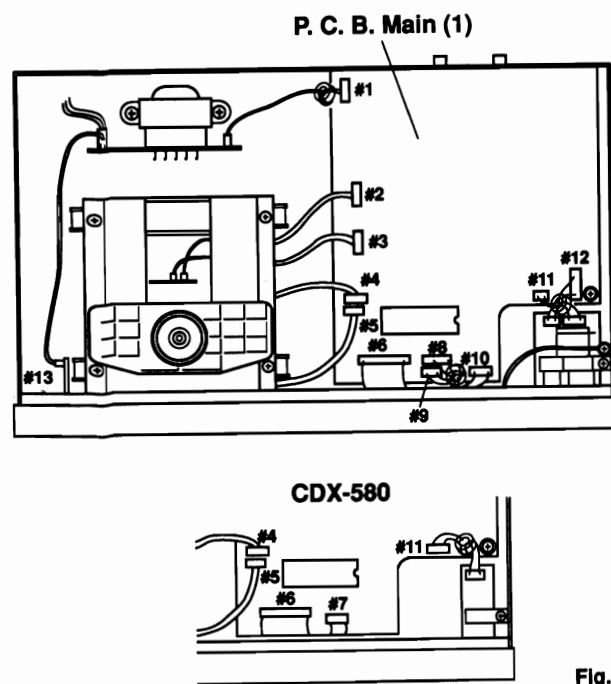


Fig. 2

4. Removal of Tray Unit

- a. Remove 2 screws (⑦) and then remove the Chucking Unit in Fig. 3.
- b. Remove 1 hook and then remove the Stopper Pin in Fig. 3.
- c. Rotate the Drive Gear and then open the Tray Unit in Fig. 3.
- d. Detach the Stoppers on both sides and then pull out the Tray in Fig. 3.

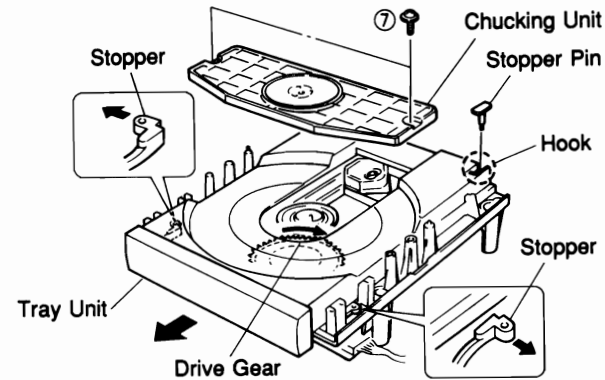


Fig. 3

5. Removal of Pick-up Head

- a. Remove 2 screws (⑧) in Fig. 4.
- b. Remove 4 screws (⑨) and then remove the Drive Unit in Fig. 4.

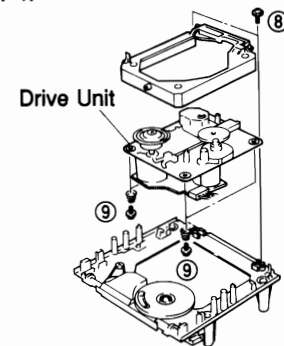


Fig. 4

- c. Remove the gear A in Fig. 5.
- d. Pull out the Sled Shaft in Fig. 5.
- e. Remove the Pick-up Head.

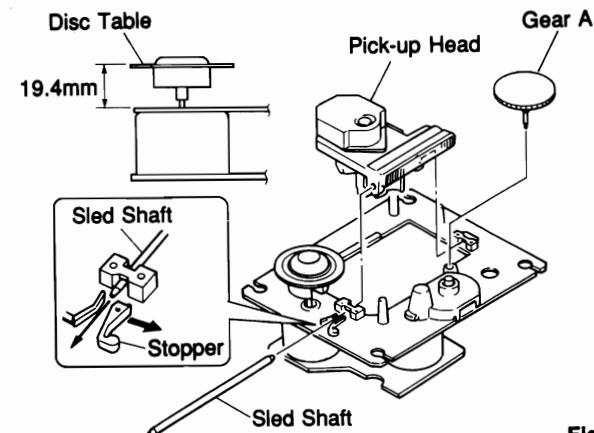
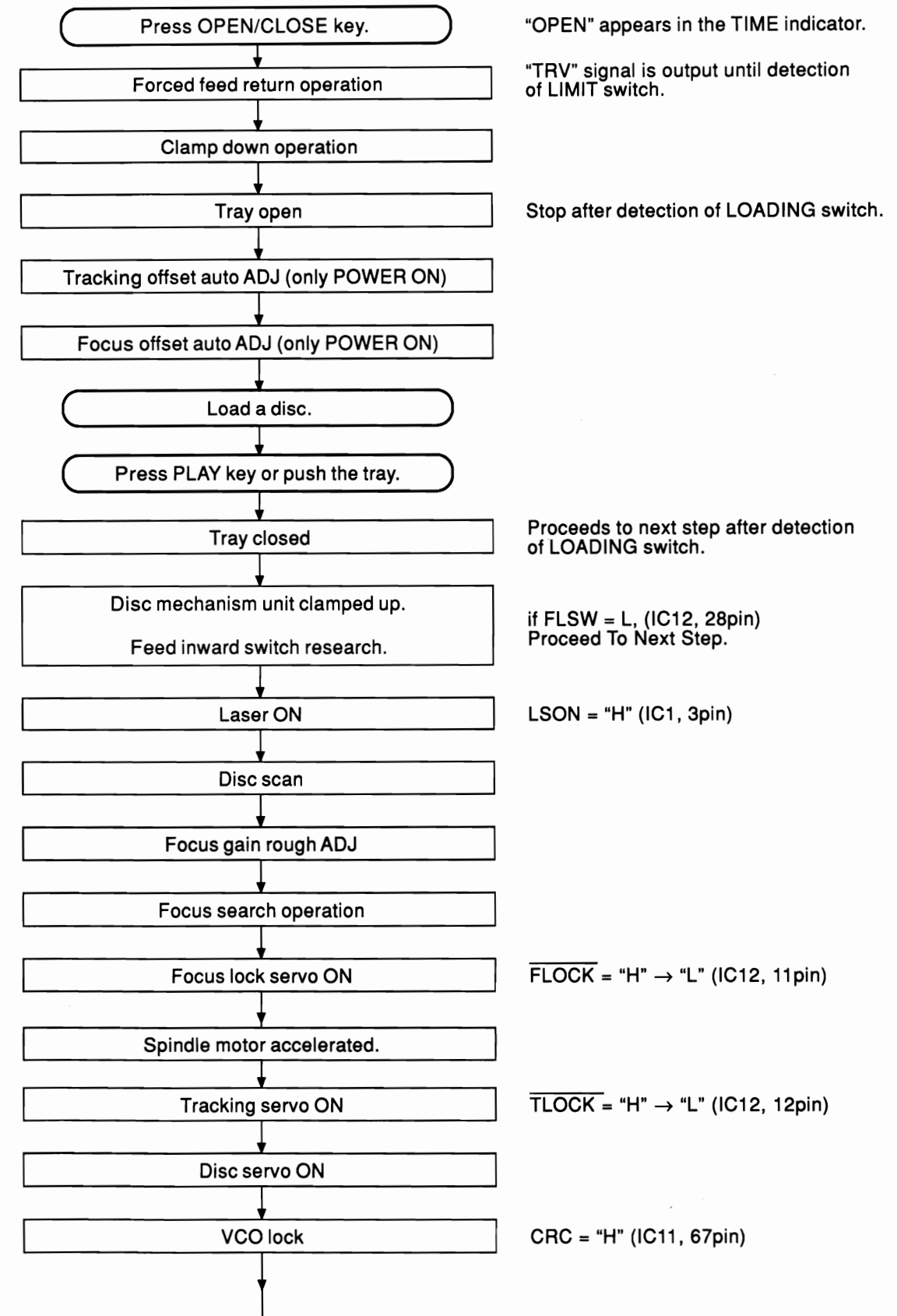
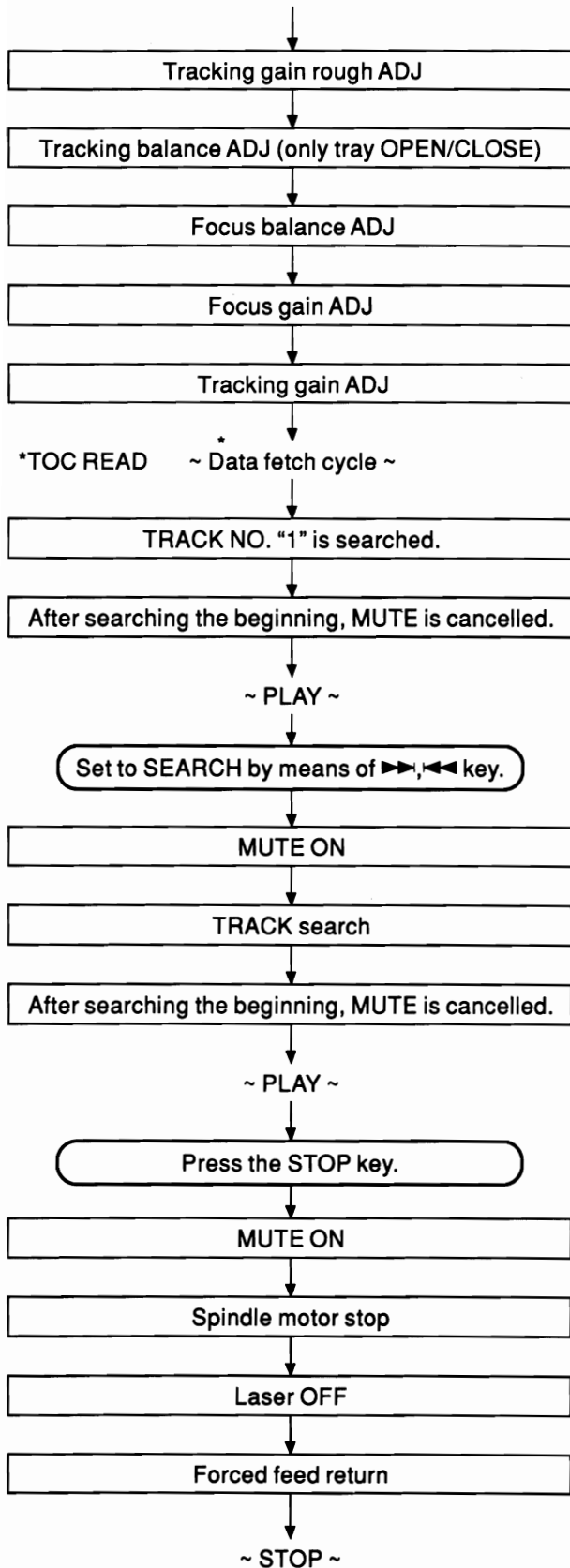


Fig. 5

STANDARD OPERATION CHART





: **MUTE OFF** = "L" → "H", (Q7 Collector)
"0:00" appears in the time indicator.

: **MUTE OFF** = "H" → "L"

: **MUTE OFF** = "L" → "H", "0:00" appears in the time indicator.

: **LSON** = "H" → "L" (IC1, 3pin)

■ **TEST MODE**

(1) Turning ON the POWER while pressing the keys "4" and "7" will set to the TEST mode. (When the TEST mode is set, all indicators light for 1 second.)



(2) Shown below are the panel keys and remote control transmitter in the TEST mode.

● **Function List of Panel keys**

Note) "traverse servo" means the same as "feed servo".

PANEL KEY	FUNCTION	
OPEN/CLOSE	Tray open/close.	
PLAY/PAUSE	FOON, TRON, SPON, FEON	
STOP	All stop. (Focus, spindle, feed, laser, tray, etc.) Initializes FL display	
◀▶	Inner circumference traverse servo.	
▶▶	Outer circumference traverse servo.	
◀◀	Inner 10 tracks kick continuously.	
▶▶	Outer 10 tracks kick continuously.	
REPEAT	TROF, FOON, FEOF] (CDX-880 only)
RANDOM	TRON, FOON, FEON, MUTEON	
PROG	Decelerates spindle.	
PEAK	Accelerates spindle.	
TAPE	TROF, FOON	
SPACE	Rotates or accelerates spindle. → Focus search, TROF → Spindle free.	
INDEX	Rotates or accelerates spindle. → Focus search, TROF → Spindle play, TRON.	
TIME	Checks FL display. (Test pattern → All lamps → goes out)	
OUTPUT LEVEL DOWN	Move output level down.] (CDX-580 only)
OUTPUT LEVEL UP	Move output level up.	
+10	Rotating the mode of coefficients. (Coefficient mode → Coefficient setting → product mode) Pressing twice will set to the product mode.	
1	Returns to product mode.	
2	Auto adjustment mode 1 (TR-off set, FO-off set, FO-rough gain adjustment)	
3	Auto adjustment mode 2 (TR-balance, TR-rough gain adjustment)	
4	Auto adjustment mode 3 (FO-fine gain, TR-fine gain, FO-balance adjustment)	
5	1 TRACK KICK - continuously	(Coefficient set up mode : address down)
6	1 TRACK KICK + continuously	(Coefficient set up mode : address up)
7	30 TRACK KICK - continuously	(Coefficient set up mode : upper digit down)
8	30 TRACK KICK + continuously	(Coefficient set up mode : upper digit up)
9	150 TRACK KICK - continuously	(Coefficient set up mode : lower digit down)
0	150 TRACK KICK + continuously	(Coefficient set up mode : lower digit up)

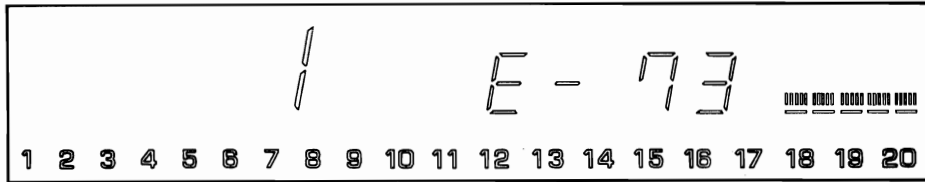
● **Function List of Remote Control Transmitter**

CUSTOM CODE = (79)x

CODE	KEY	FUNCTION
01	OPEN/CLOSE	Tray open/close.
02	PLAY	PLAY (FOON, TRON, TVON(FEON), SPON)
04	◀◀ SKIP	Inner circumference traverse servo.
05	◀◀ SEARCH	Inner 10 tracks kick continuously.
06	▶▶ SEARCH	Outer 10 tracks kick continuously.
07	▶▶ SKIP	Outer circumference traverse servo.
08	REPEAT S/F	FOON, TROF (Enter focus search if focus servo is off.)
0A	TIME	Checks FL display. (All lamps → 888888 → goes out.)
0B	INDEX	FOON, TROF, TVOF(EFOF) (Enter focus search if focus servo is off.)
0C	PROG	Rotates or accelerates spindle.
0D	CLEAR	Decelerates spindle. (checking EFM pattern and reflected STAT)
0F	SPACE	FOOF, TROF, TVOF(EFOF)
10	0	150 TRACK KICK + continuously
11	1	Returns to product mode. (tray inoperative.) (Coefficient set up mode : lower digit up)
12	2	Auto adjustment mode 1 (TR-off set, FO-off set, FO-rough gain adjustment)
13	3	Auto adjustment mode 2 (TR-balance, TR-rough gain adjustment)
14	4	Auto adjustment mode 3 (FO-fine gain, TR-fine gain, FO-balance adjustment)
15	5	1 TRACK KICK - continuously (Coefficient set up mode : address down)
16	6	1 TRACK KICK + continuously (Coefficient set up mode : address up)
17	7	30 TRACK KICK - continuously (Coefficient set up mode : upper digit down)
18	8	30 TRACK KICK + continuously (Coefficient set up mode : upper digit up)
19	9	150 TRACK KICK - continuously (Coefficient set up mode : lower digit down)
1A	+10	Rotating the mode of coefficients.
1B	RANDOM	SPON (Spindle servo on.)
1C	OUTPUT LEVEL-	Move output level down.
1D	OUTPUT LEVEL+	Move output level up.
1E	DIMMER	Checks FL display. (Test pattern → All lamps → goes out.)
55	PAUSE	FOON, TROF, TVOF(EFOF) (Enter focus search if focus servo is off.)
56	STOP	All stop. (Focus, spindle, traverse, laser, tray, etc.)
57	TAPE	Spindle free (off)
58	SYNCHRO	TV(Feed) REV
5D	PEAK	—

■ **ERROR MESSAGE**

- (1) When operation is terminated in an abnormal condition (stop or open), pressing STOP on the remote control while pressing STOP on the panel will set to the error message display enable mode.
- (2) Shown below is an example of display. ("E-73" as an example)



- (3) This function stays effective till the power is turned OFF. (It is cleared at OFF.)
- (4) Listed in the table below are error messages.

● **Error Messages List**

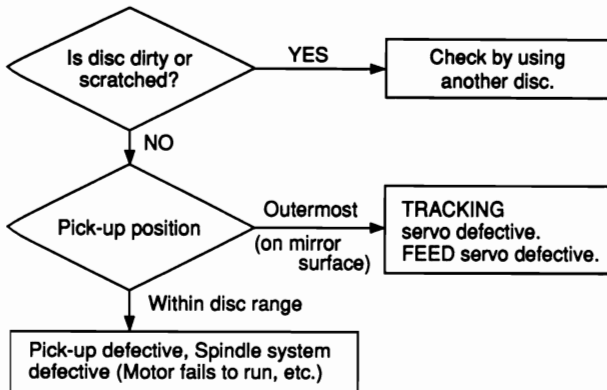
ERROR MESSAGES	DESCRIPTION
E - X 0	Data cannot be read after finishing search.
E - X 1	Data cannot be read during PLAY(X=0), PAUSE(X=4), or SCAN(X=3).
E - 7 1	At the start, tracking servo is not effective.
E - 7 2	At the start, spindle servo PLL is not effective.
E - 7 3	At the start, data can never read.
E - 9 4	Close switch does not work with tray closed.
E - - 5	Open switch does not work with tray open.
E - X 7	Traverse(Feed) inner circumference switch does not work.
E - X 8	Recovery action fails after focus drop.
E r r	MN66271 does not give response of SENSE, with resetting by the unit's microcomputer.

***No. for each state (meaning of "X")**

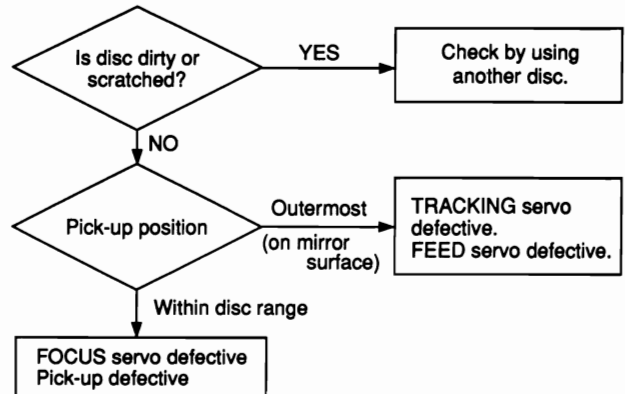
PLAY	X="0"
SCAN	X="2"
PAUSE	X="3"
PEAK SEARCH	X="4"
SEARCH	X="5"
INTRO SCAN	X="6"
START	X="7"
STOP	X="8"
DISC SEARCH	X="9"
OPEN	X="-"
NO DISC	X="C"

1) Error Code Troubleshooting

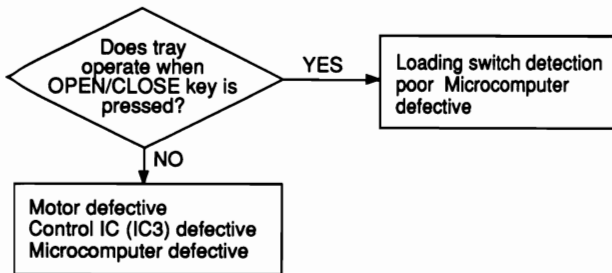
Error code **X0**, **X1**, **73** Data cannot be read.



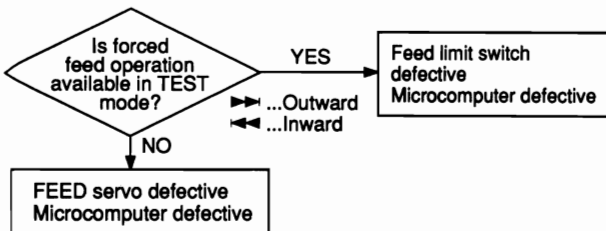
Error code **X8** Focus drops.



Error codes **94**, **-5** Poor tray loading operation.

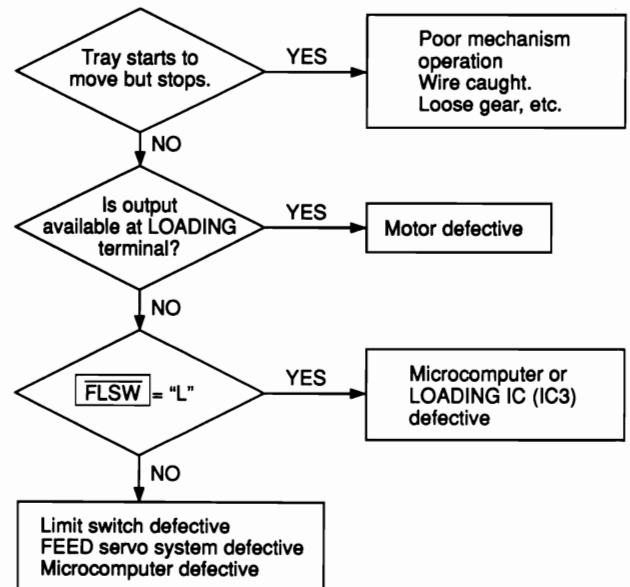


Error code **X7** FEED operation defective. (Limit switch fails)

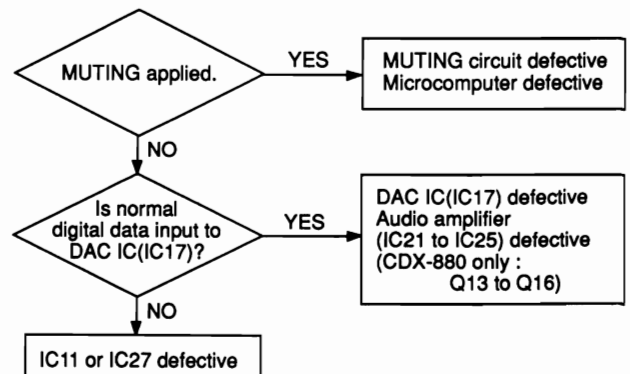


2) Troubleshooting from System Malfunctions

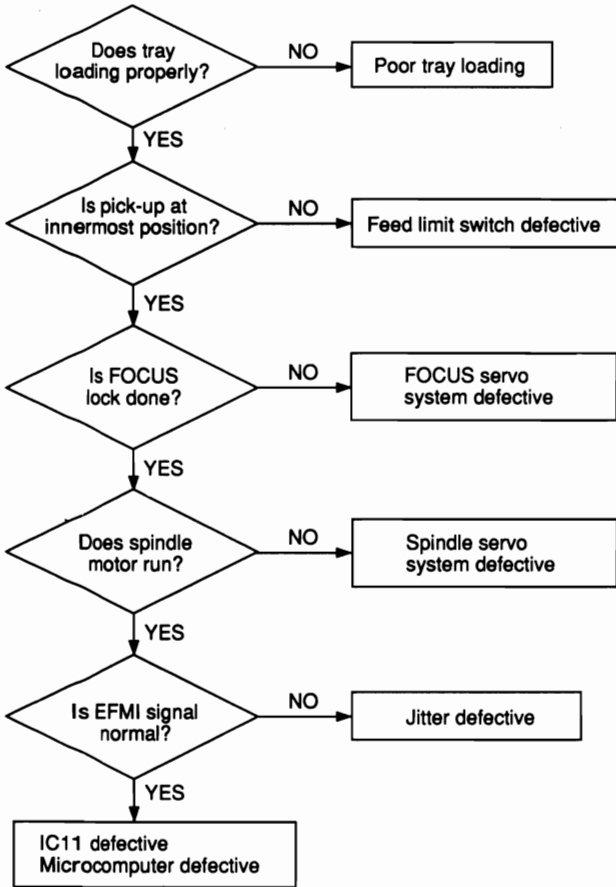
a) Tray fails to come out/go in.



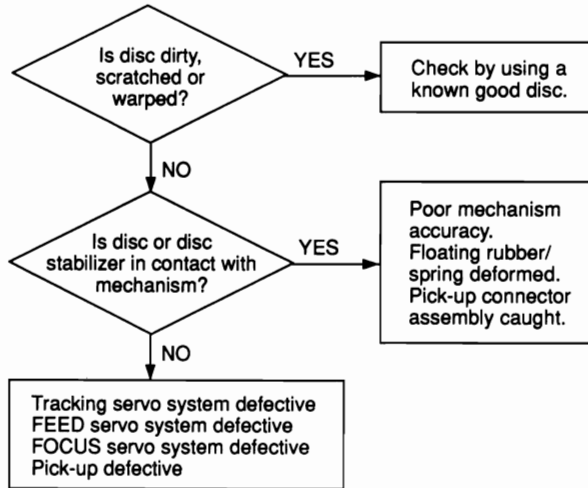
b) No sound generated, Sound cut during play. (but time display advances properly)



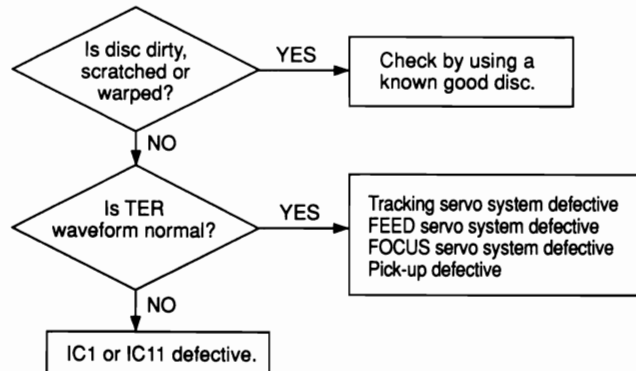
c) Operates as-if no disc loaded. (although loaded)



d) Sound skips. (Time display fails to advance properly)



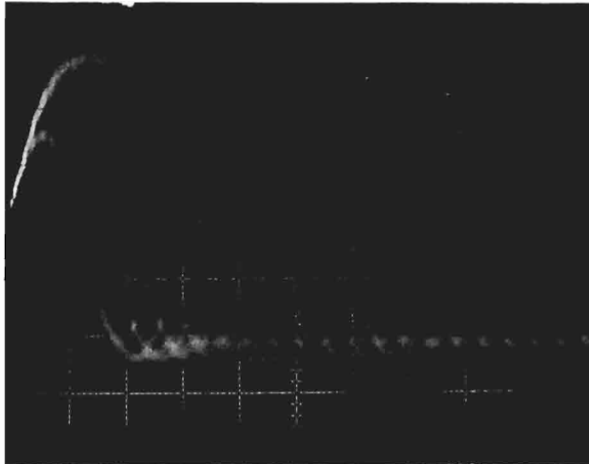
e) No search provided. (Sound skipped after search)



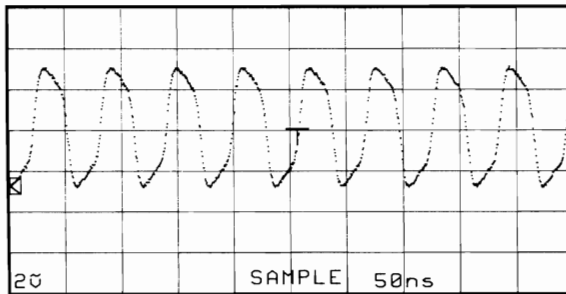
CDX-580
CDX-880

TEST POINT WAVEFORMS

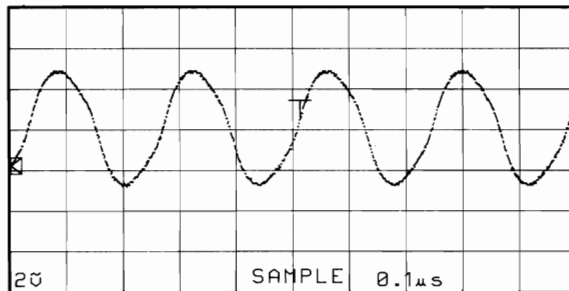
Point ①
TP1 (EFM)
V: 0.2V/div H : 0.5 μ sec/div
AC range 1 : 1 probe



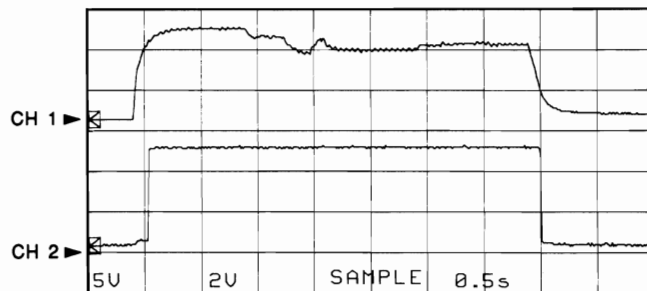
Point ②
(Pin 59 of IC11)
V: 2V/div H : 50nsec/div
DC range 1 : 1 probe



Point ③
(Pin 31 of IC12)
V: 2V/div H : 0.1 μ sec/div
DC range 1 : 1 probe



Point ④
(CH 1 : Collector of Q9)
(CH 2 : Pin 8 of IC27)
V: 5V/div ... CH1
V: 2V/div ... CH2
H : 0.5sec/div
DC range 1 : 1 probe



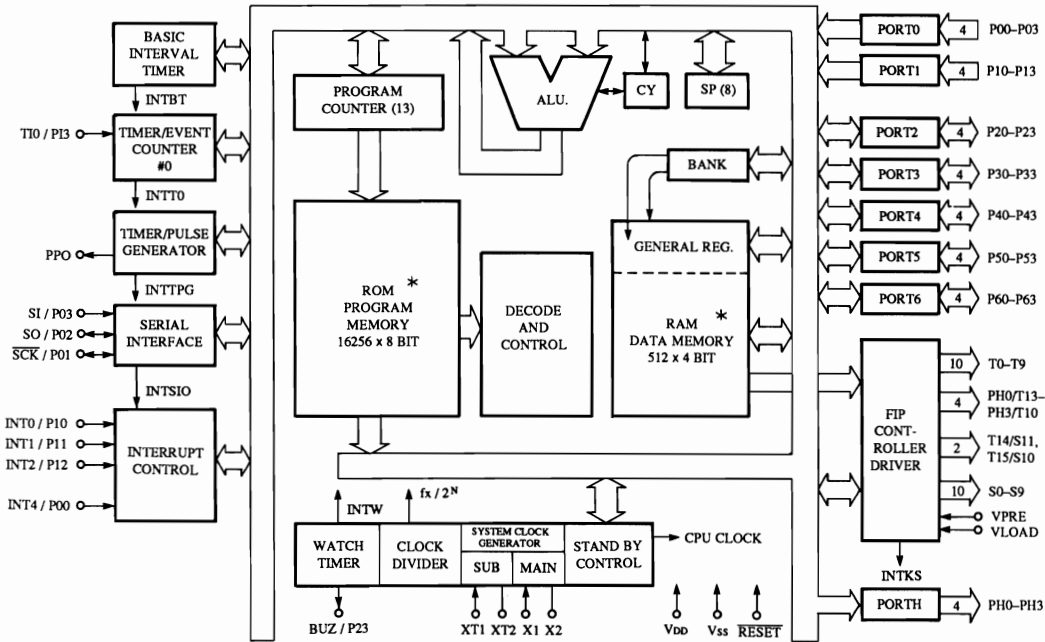
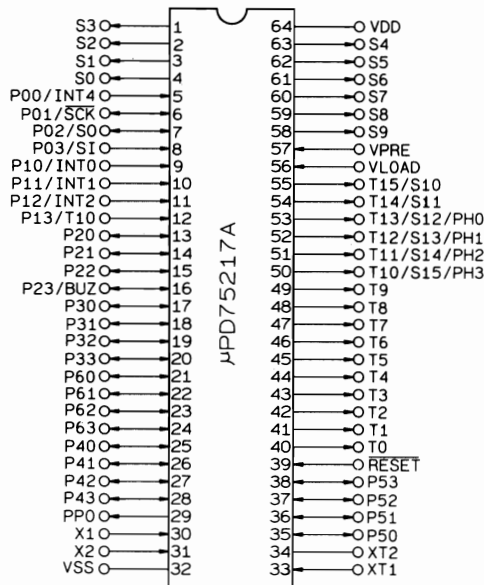
▲
With the POWER switch turned ON, connect the power cord to the AC outlet.

▲
Disconnect the power cord from the AC outlet.

CDX-580
CDX-880

IC DATA

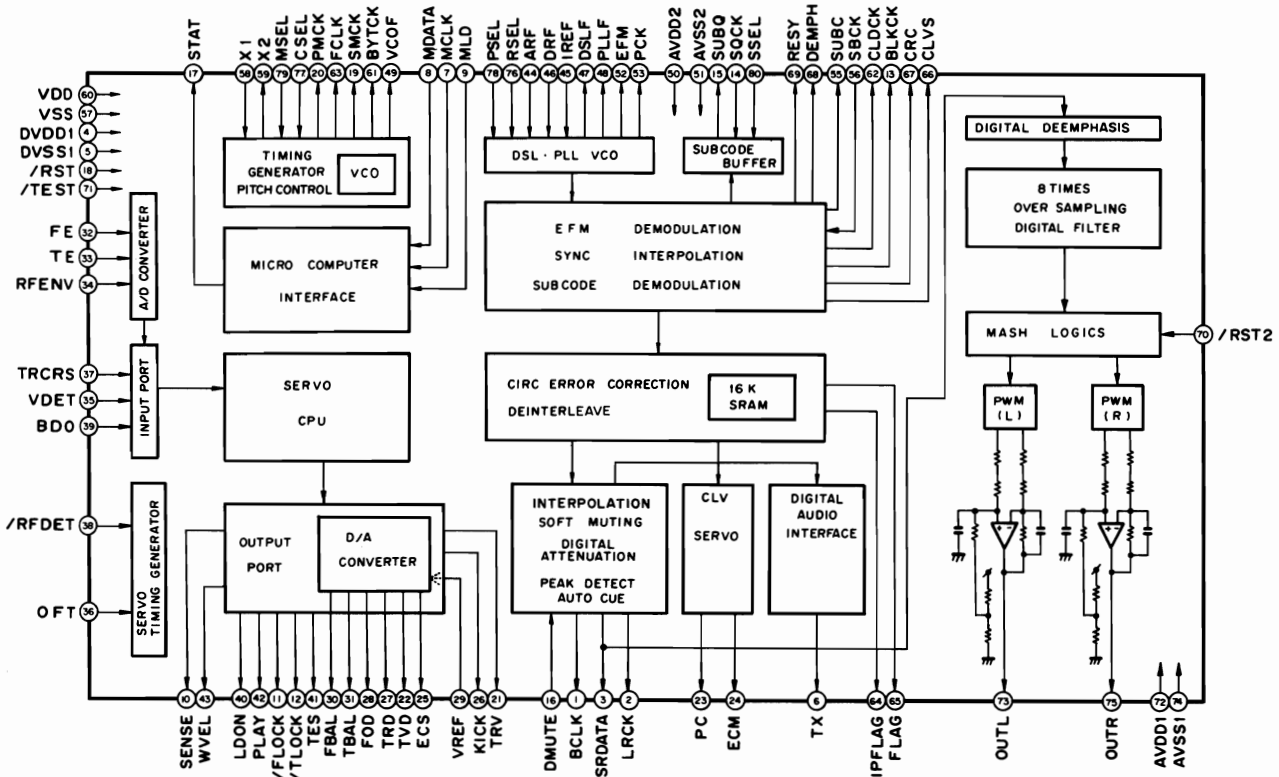
IC12 : μ PD75217CW
System Controller (4bit μ -COM)



Pin No.	Pin Name	Description	Function
1	S3	S3	Fluorescent character display tube anode drive signal
2	S2	S2	
3	S1	S1	
4	S0	S0	
5	PO0	D/A	N.C
6	PO1	SCK	Serial clock output to MN66271
7	PO2	SO	Serial data output to MN66271
8	PO3	SI	Serial data input from MN66271
9	P10	REM	Input from remote control beam receiving unit
10	P11	BLKICK	Synchronous clock input for Q-code RCV from MN66271 (Fine pulse at RCV, normally LO)
11	P12	FLOCK	FOCUS lock signal input from MN66271 (LO at LOCK)

Pin No.	Pin Name	Description	Function
12	P13	TLOCK	Tracking lock signal input from MN66271 (HI at LOCK)
13	P20	MLD	Read signal output for transmitting command from MN66271 (After command transmission, LO pulse at LOAD TIMING)
14	P21	COMMAND	Serial I/F switching signal output (switching at 74HC125) Q CODE received at HI
15	P22	QCODE	Serial I/F switching signal output (switching at 74HC125) CMD transmit/receive selection
16	P23	DMUTE	Digital mute signal output (HI at MUTE)
17	P30	STAT	STAT signal input
18	P31	MNRESET	RESET signal output (LO at RESET)
19	P32	SCL	Serial clock signal with X24C01
20	P33	SDA	Serial data signal with X24C01
21	P60	MUTE	Analog mute signal output (LO at MUTE)
22	P61	—	Open
23	P62	—	Open
24	P63		MODEL selection CDX-480/580 = "L" , CDX-880 = "H"
25	P40		MODEL selection CDX-580 = "L" , CDX-480/880 = "H"
26	P41	OPSW	Open state of tray sensing switch input Open state at "L"
27	P42	CLSW	Closed state of tray sensing switch input Closed state at "L"
28	P43	FELTSW	Feed origin switch input Feed origin at "L"
29	PP0	LED	LED ON/OFF signal (AUTO DISPLAY OFF)
30	X1	X1] Crystal oscillator Oscillation terminal (4.19MHz)
31	X2	X0	
32	VSS	VSS	GND
33	XT1	—	Open
34	XT2	—	Open
35	P50	K3] Key matrix input
36	P51	K2	
37	P52	K1	
38	P53	K0	
39	RESET	RESET	Reset input
40	T0	T0/9G] Fluorescent character display tube grid drive signal
41	T1	T1/8G	
42	T2	T2/7G	
43	T3	T3/6G	
44	T4	T4/5G	
45	T5	T5/4G	
46	T6	T6/3G	
47	T7	T7/2G	
48	T8	T8/1G	
49	T9	—	Open
50	T10	OPEN	Opening of tray at OP "H" and CL "L"
51	T11	CLOSE	Closing of tray at CL "H" and OP "L"
52	T12	VLUP	Volume motor drive signal (UP)
53	T13	VLDN	Volume motor drive signal (DOWN)
54	T14	S11] Fluorescent character display tube anode drive signal
55	T15	S10	
56	V LOAD	-VP	-20V
57	V PRE	GND	GND
58	S9	S9] Fluorescent character display tube anode drive signal
59	S8	S8	
60	S7	S7	
61	S6	S6	
62	S5	S5	
63	S4	S4	
64	VDD	+5	+5V

IC11 : MN66270RB
Signal Processor & Controller

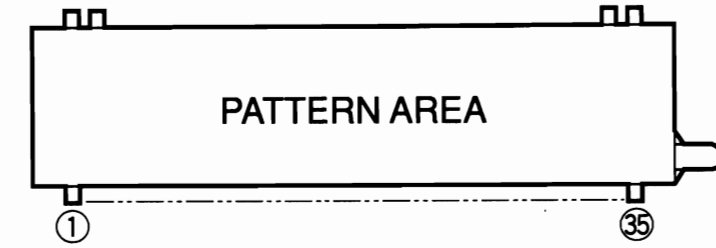


Pin No.	Pin Name	I/O	FUNCTION
1	BCLK	O	Bit clock output for SR DATA
2	LRCK	O	L/R identification signal output
3	SRDATA	O	Serial data output
4	DVDD1	I	Power supply for digital circuit
5	DVSS1	I	GND for digital circuit
6	TX	O	Digital, audio, interface output signal
7	MCLK	I	Microprocessor command clock signal input (data latched at leading edge)
8	MDATA	I	Microprocessor command data input
9	MLD	I	Microprocessor command load signal input L : LOAD
10	SENSE	O	Sense signal output
11	FLOCK	O	Focus servo drawing signal (L : when drawn)
12	TLOCK	O	Tracking servo drawing signal (L : when drawn)
13	BLKCK	O	Sub code block clock signal
14	SQCK	I	Clock input for sub-code Q register
15	SUBQ	O	Sub-code Q code output
16	DMUTE	I	Muting input H : MUTE
17	STAT	O	Status signal
18	RST	I	Reset input L : RESET
19	SMCK	O	8.4672MHz clock signal output when MSEL = H 4.2336MHz clock signal output when MSEL = L
20	PMCK	O	88.2KHz clock signal output
21	TRV	O	Traverse(Feed) forced feed output
22	TVD	O	Traverse(Feed) drive output
23	PC	O	Spindle motor ON signal L : ON
24	ECM	O	Spindle motor drive signal (forced mode output) 3-State
25	ECS	O	Spindle motor drive signal (servo error signal output)

■ DISPLAY DATA (VR061600)

Pin No.	Pin Name	I/O	FUNCTION
26	KICK	O	Kick pulse output
27	TRD	O	Tracking drive output
28	FOD	O	Focus drive output
29	VREF	I	Reference voltage for DA output block
30	FBAL	O	Focus balance adjustment output
31	TBAL	O	Tracking balance adjustment output
32	FE	I	Focus error signal input (analog input)
33	TE	I	Tracking error signal input (analog input)
34	RFENV	I	RF envelope signal input (analog input)
35	VDET	I	Oscillation detect signal input (H : DETECT)
36	OFT	I	Off track signal input (H : OFF TRACK)
37	TRCRS	I	Track cross signal input
38	RFDET	I	RF detect signal input (L : DETECT)
39	BDO	I	Drop out signal input (H : DROP OUT)
40	LDON	O	Laser ON signal output (H : ON)
41	TES	O	Tracking error shunt signal output (H : SHUNT)
42	PLAY	O	Play signal output (H : PLAY)
43	WVEL	O	Double speed status signal output
44	ARF	I	RF signal input
45	IREF	I	Reference current input terminal
46	DRF	I	Bias terminal for DSL
47	DSL	I/O	Loop filter terminal for DSL
48	PLL	I/O	Loop filter terminal for PLL
49	VCOF	I/O	Loop filter terminal for VCO
50	AVDD2	I	Power supply for analog circuit (for DSL, PLL, OA output blocks)
51	AVSS2	I	GND for analog circuit (for DSL, PLL, DA output blocks)
52	EFM	O	EFM signal output
53	PCK	O	PLL extract clock output (f PCK = 4.321MHz)
54	PDO	O	EFM signal to PCK signal phase comparison signal output
55	SUBC	O	Sub-code serial output data output
56	SBCK	I	Clock input for sub-code serial output
57	VSS	I	GND for oscillation circuit
58	X1	I	Crystal oscillation circuit input terminal (f = 16.9344MHz)
59	X2	O	Crystal oscillation circuit output terminal (f = 16.9344MHz)
60	VDD	I	Power supply for oscillation circuit
61	BYTCK	O	Byte clock output
62	CLDCK	O	Sub-code frame clock signal output (f CLDCK = 7.35kHz)
63	FCLK	O	Crystal frame clock output (f FCLK = 7.35kHz)
64	IPFLAG	O	Interpolation flag output H : INTERPOLATION
65	FLAG	O	Flag output H : CLV
66	CLVS	O	Spindle servo phase synchronous status signal out H : CLV L : ROUGH SERVO
67	CRC	O	Sub-code CRC check result output H : OK , L : NG
68	DEMPPH	O	Deemphasis detect signal output H : ON
69	RESY	O	Re-synchronous signal output of frame synchronization H : SYNCHRONOUS L : ASYNCHRONOUS
70	RST2	I	Reset terminal for stop after MASH circuit (L : RESET)
71	TEST	I	Test terminal (Normal : H)
72	AVDD1	I	Power supply for analog circuit (for audio output section (used for both L and R channels))
73	OUTL	O	L channel output
74	AVSS1	I	GND for analog circuit (for audio output section (used for both L and R channels))
75	OUTR	O	R channel output
76	RSEL	I	RF signal polarity specifying terminal RSEL = H when Bright level is at "H" RSEL = L when Bright level is at "L"
77	CSEL	I	Crystal oscillation frequency specifying terminal (Normal : L)
78	PSEL	I	Test terminal (Normal : L)
79	MSEL	I	SMCK terminal Output frequency switch terminal H : SMCK = 8.4672MHz , L : SMCK = 4.2336MHz
80	SSEL	I	SUBQ terminal Output mode switch terminal H : Q code buffer use mode

V401 : 9-MT-133GK



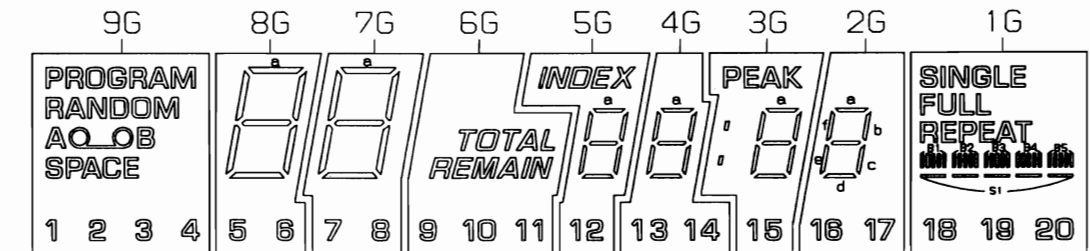
PIN CONNECTION

PIN NO.	1	2	3	4	5	6	7	8	9	10	11	12	13	14	15	16	17	18
CONNECTION	F1	F1	NP	9G	8G	7G	6G	5G	4G	3G	2G	1G	NC	NC	NC	NC	NC	NC

PIN NO.	19	20	21	22	23	24	25	26	27	28	29	30	31	32	33	34	35
CONNECTION	NC	NC	P12	P11	P10	P9	P8	P7	P6	P5	P4	P3	P2	P1	NP	F2	F2

- NOTE 1) F1, F2..... Filament
 2) NP No pin
 3) NC No connection
 4) DL..... Datum Line
 5) 1G-9GGrid

GRID ASSIGNMENT



ANODE CONNECTION

	9G	7G	7G	6G	5G	4G	3G	2G	1G
P1	PROGRAM	a	a	TOTAL	a	a	a	a	SINGLE
P2	RANDOM	b	b	REMAIN	b	b	b	b	FULL
P3	A	c	c	—	c	c	c	c	REPEAT
P4	Q_O	d	d	—	d	d	d	d	B1
P5	B	e	e	—	e	e	e	e	B2
P6	SPACE	f	f	—	f	f	f	f	B3
P7	—	g	g	—	g	g	g	g	B4
P8	—	—	—	—	—	—	:	—	B5
P9	1	5	7	9	12	13	15	16	S1
P10	2	6	8	10	INDEX	14	PEAK	17	18
P11	3	—	—	11	—	—	—	—	19
P12	4	—	—	—	—	—	—	—	20

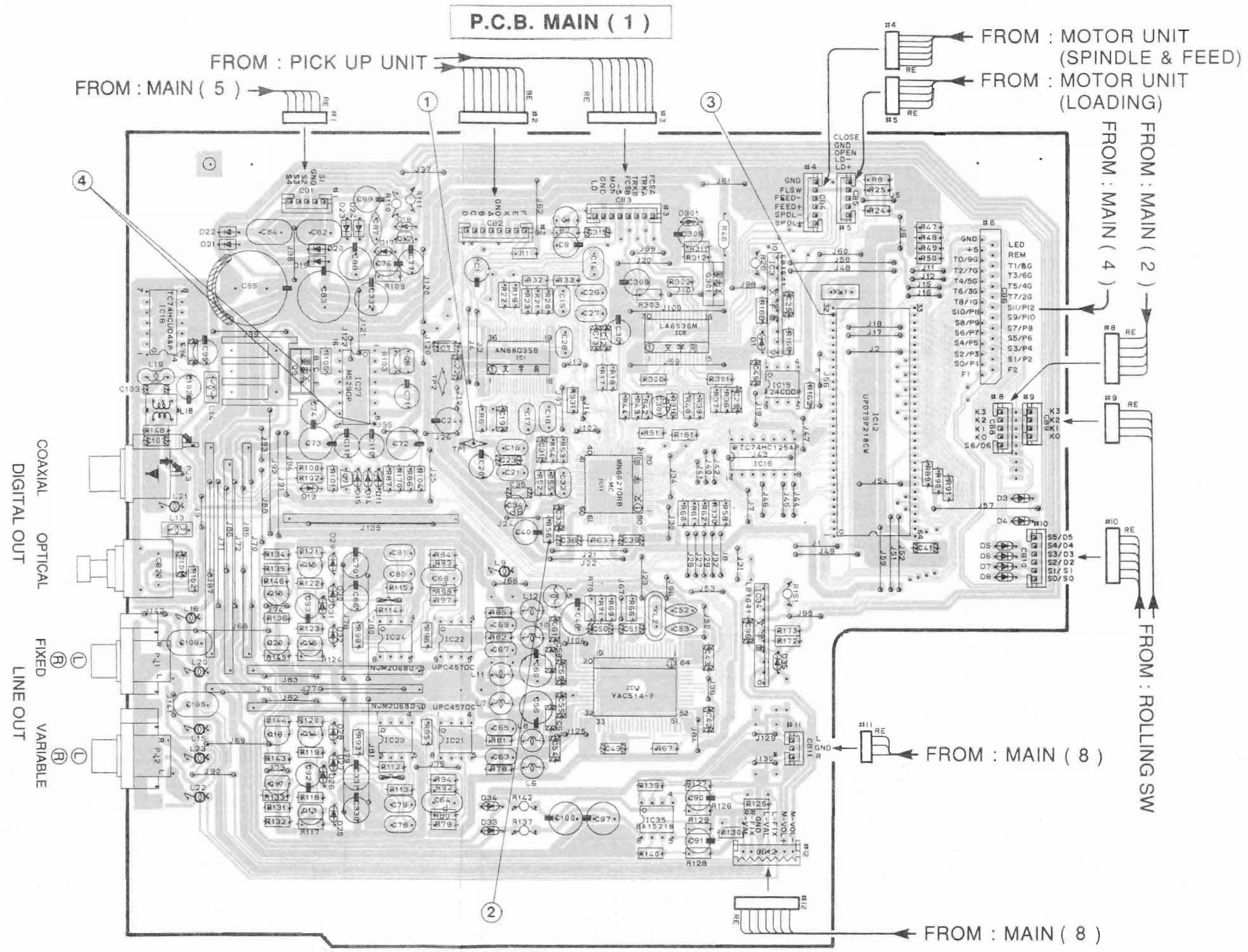
■ CDX-880 PRINTED CIRCUIT BOARD (Foil side)

① to ④ : TEST POINT WAVEFORMS (See page 16)

● Semiconductor Location

Ref. No.	Location
IC 1	E3
IC 3	F2
IC 6	E3
IC11	E3
IC12	F3
IC15	F3
IC16	F3
IC17	E4
IC18	C3
IC21	E4
IC22	E4
IC23	D4
IC24	D4
IC27	D3
IC34	F4
IC35	E5

Ref. No.	Location
Q 1	E2
Q 7	D3
Q 8	D3
Q 9	D3
Q 12	D2
Q 13	D5
Q 14	D4
Q 15	D4
Q 16	D4
Q 17	D5
Q 18	D4
Q 19	D4
Q 20	D4
Q 301	F2

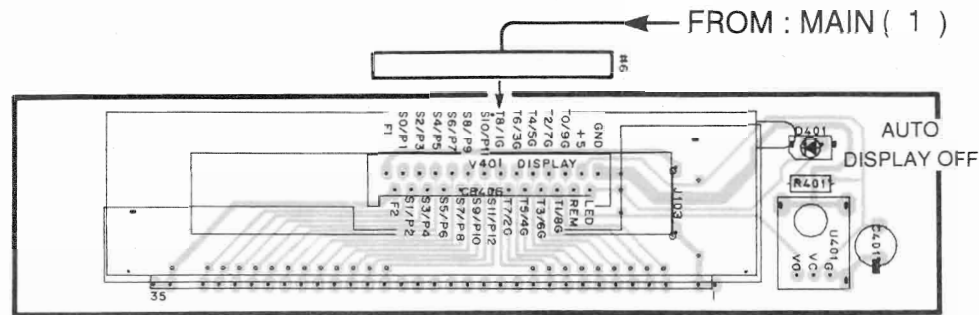


1
2
3
4
5
6

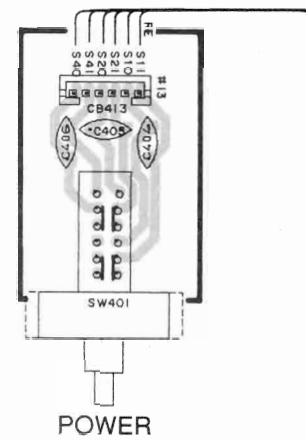
CDX-880 PRINTED CIRCUIT BOARD (Foil side)

1
2
3
4
5
6

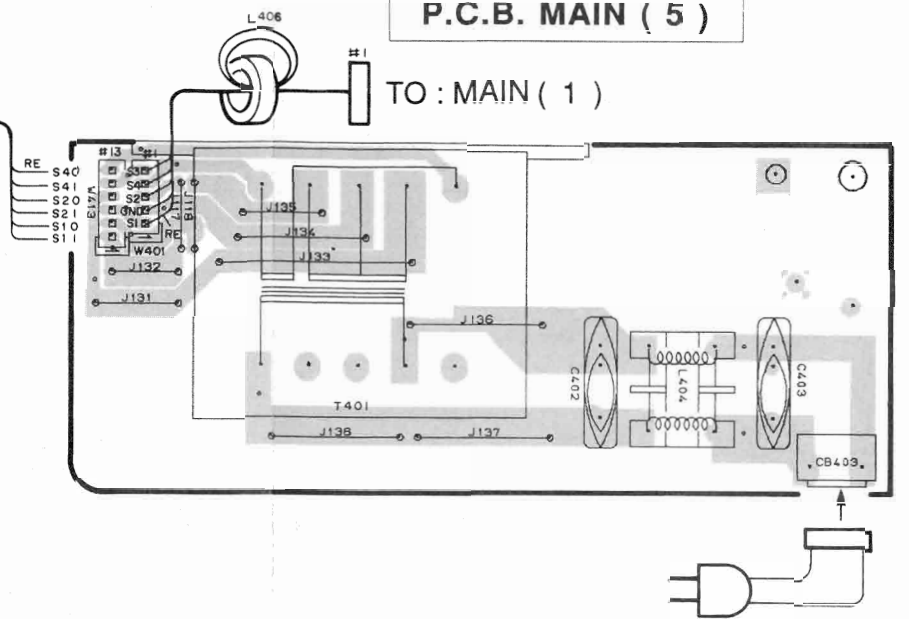
P.C.B. MAIN (4)



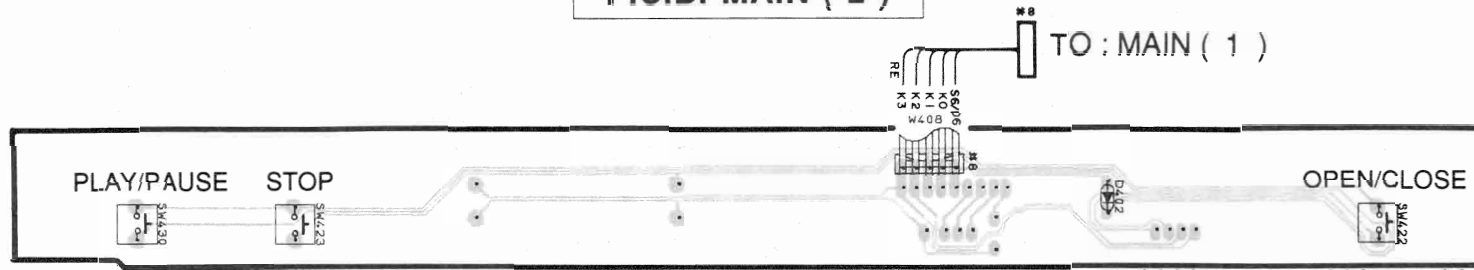
P.C.B. MAIN (6)



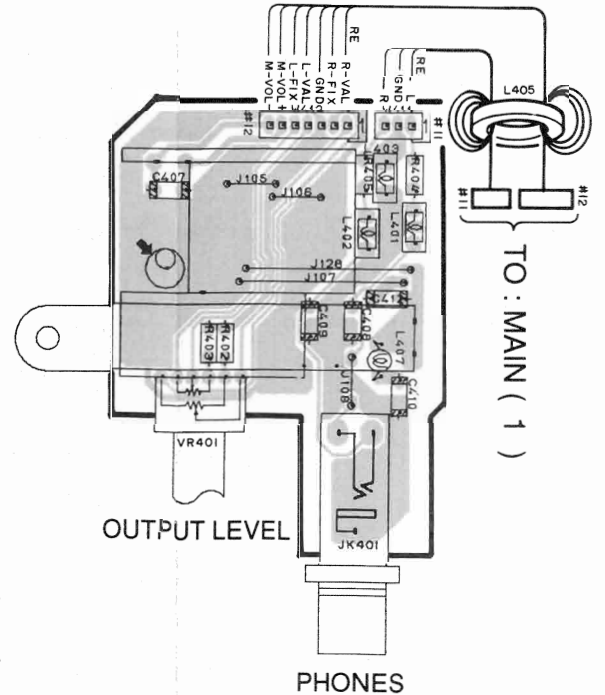
P.C.B. MAIN (5)



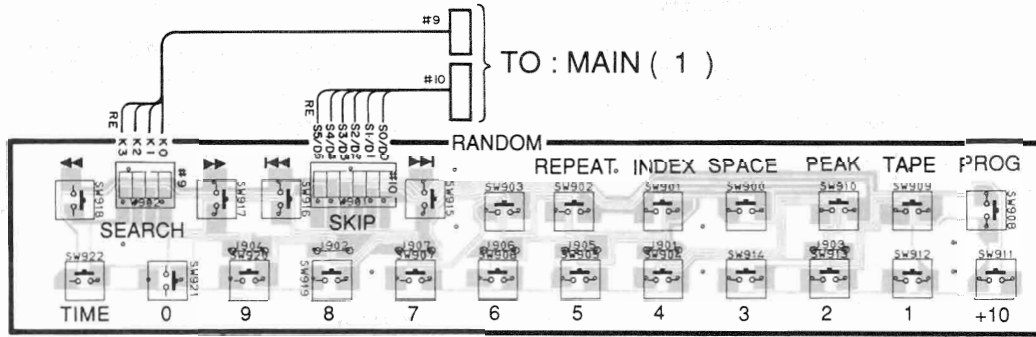
P.C.B. MAIN (2)



P.C.B. MAIN (8)

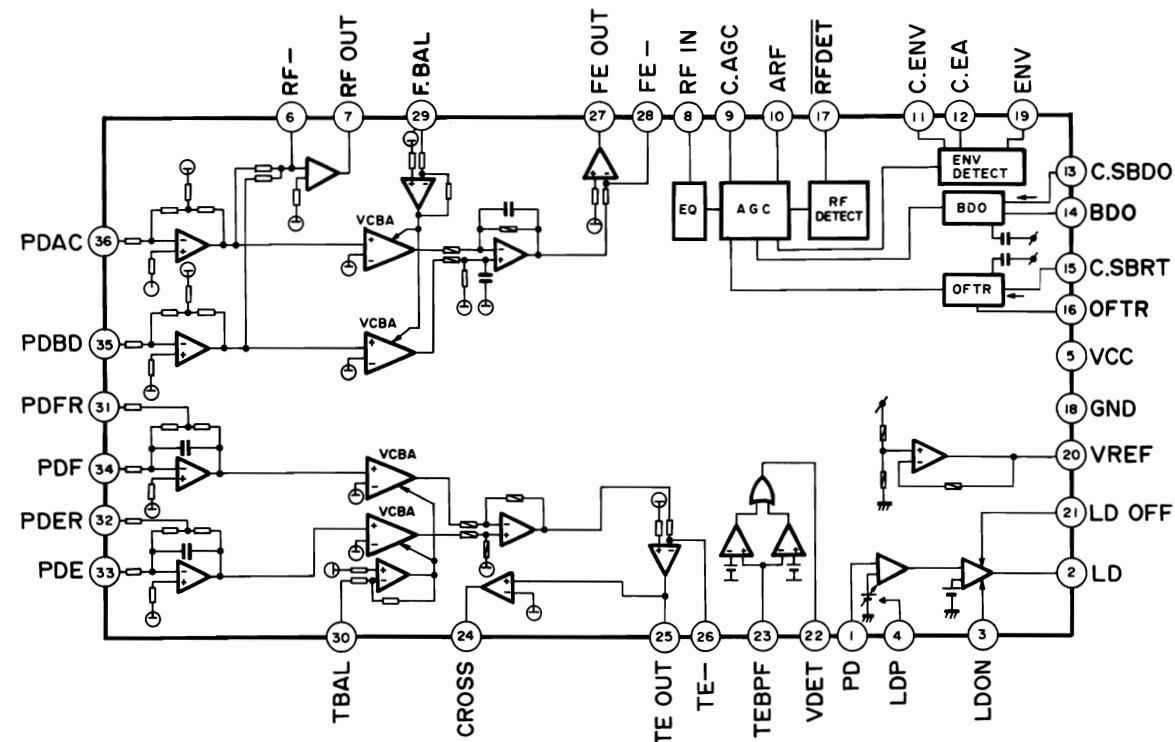


P.C.B. ROLLING SW

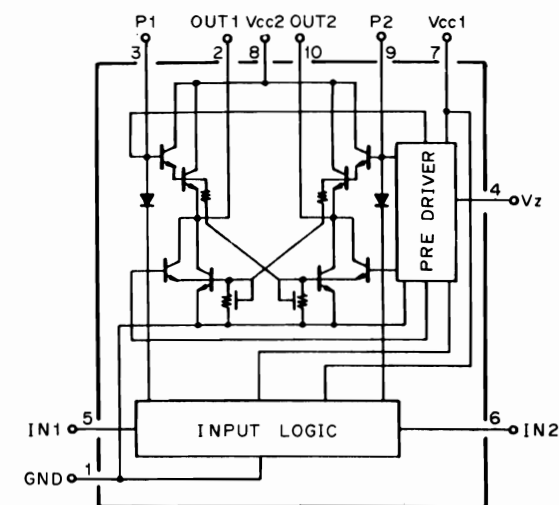


IC BLOCK

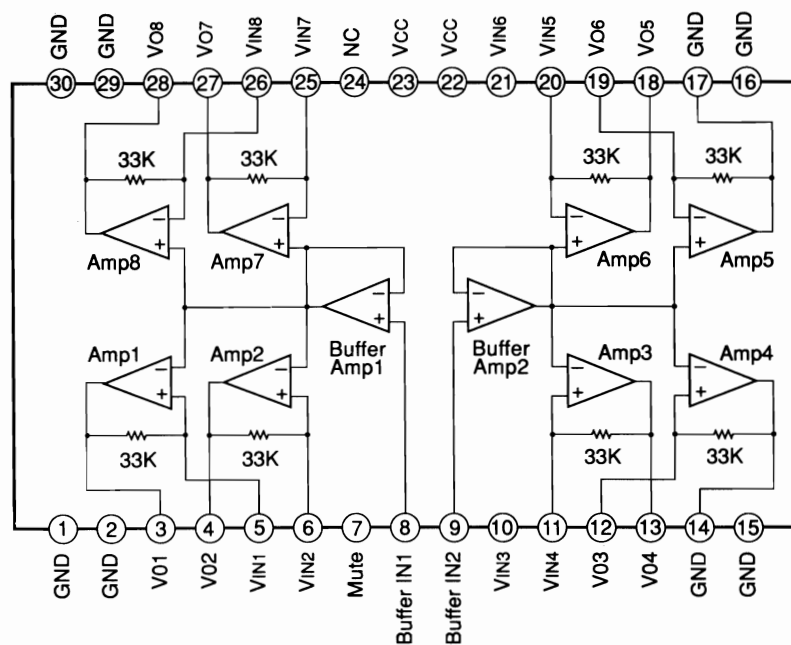
IC1 : AN8803SB
Digital Servo Head Amp



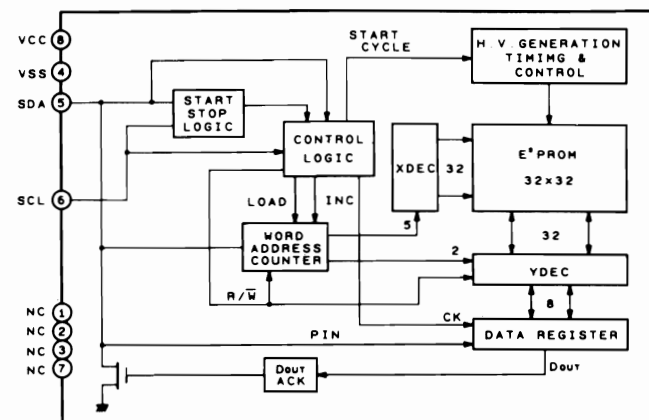
IC3, 34 : LB1641
Motor Driver



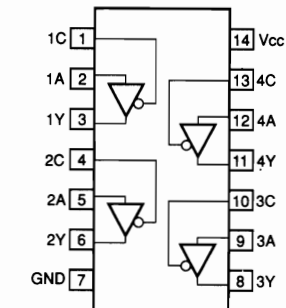
IC6 : LA6536M
4 Channel BTL Driver



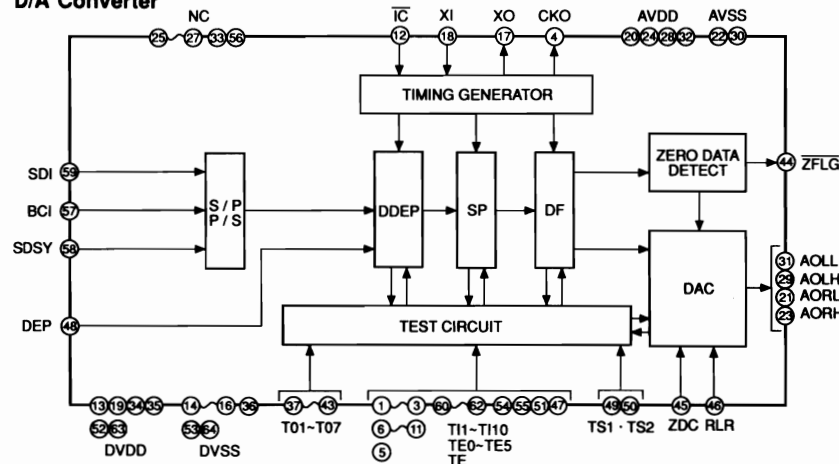
IC15 : X24C00P
Electrically Erasable PROM



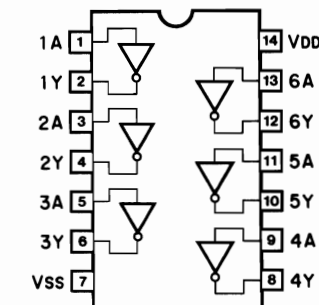
IC16 : TC74HC125AP
Quad 3 State Bus Buffers



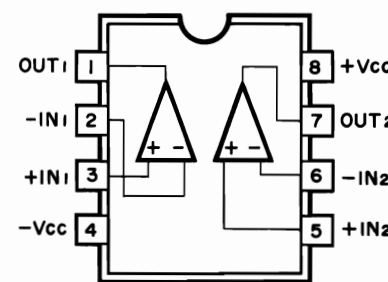
IC17 : YAC514
D/A Converter



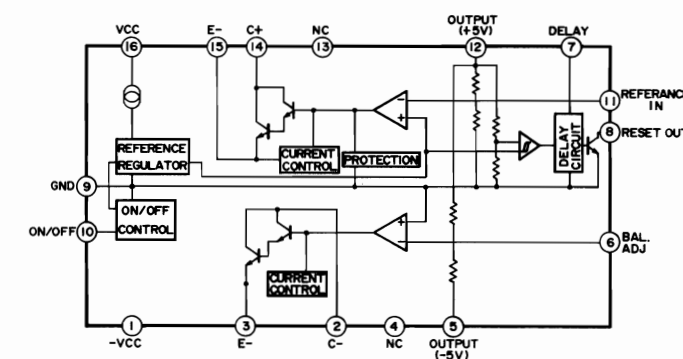
IC18 : TC74HCU04AP
Hex Inverter



IC21, 22 : NJM2068D-D (CDX-880)
IC21, 22 : μPC4570C (CDX-580)
IC23, 24 : NJM5532D-D
IC35 : BA15218
Dual OP-Amp



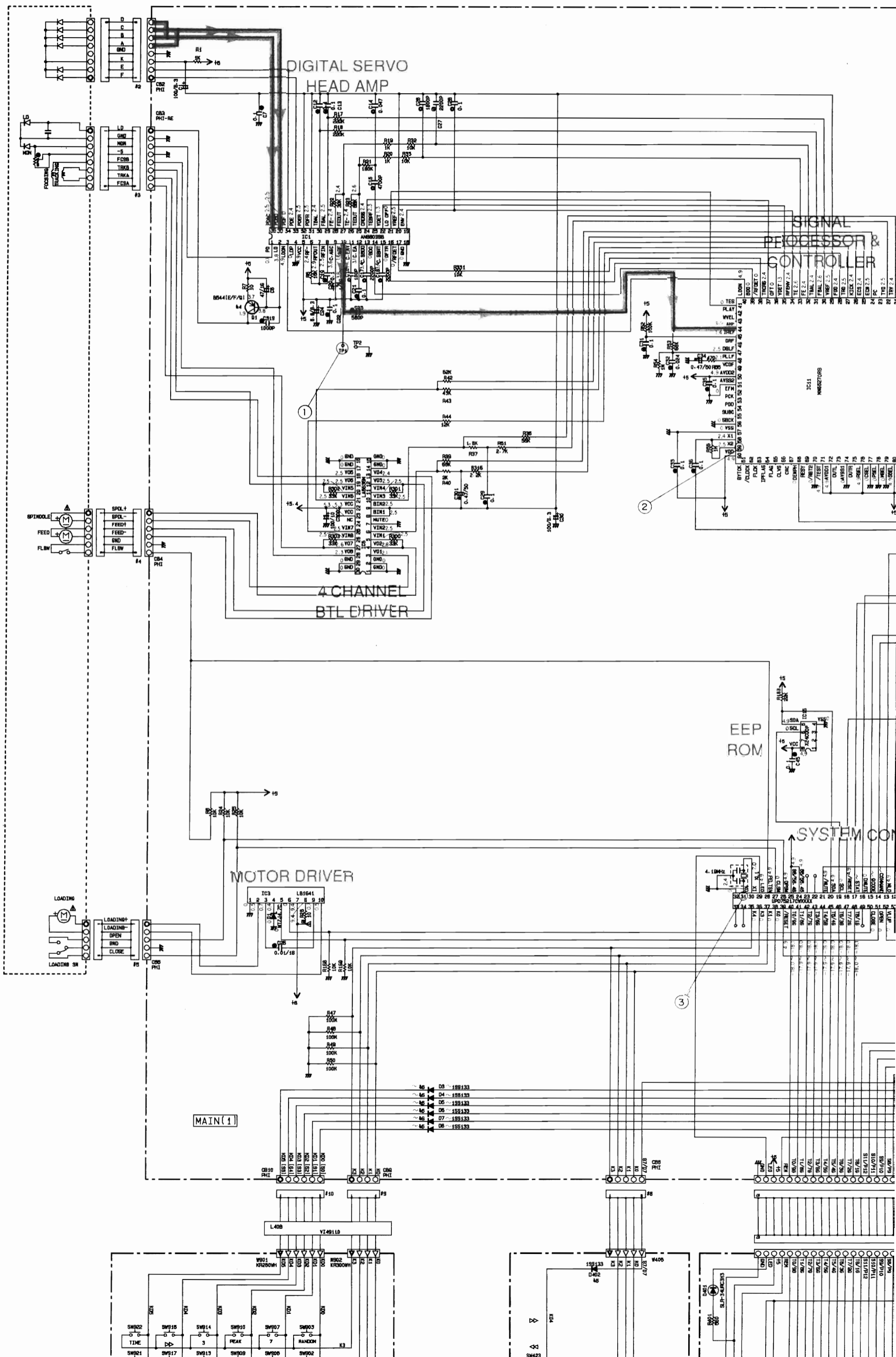
IC27 : M5290P
Constant-Voltage Tracking Supply with Reset



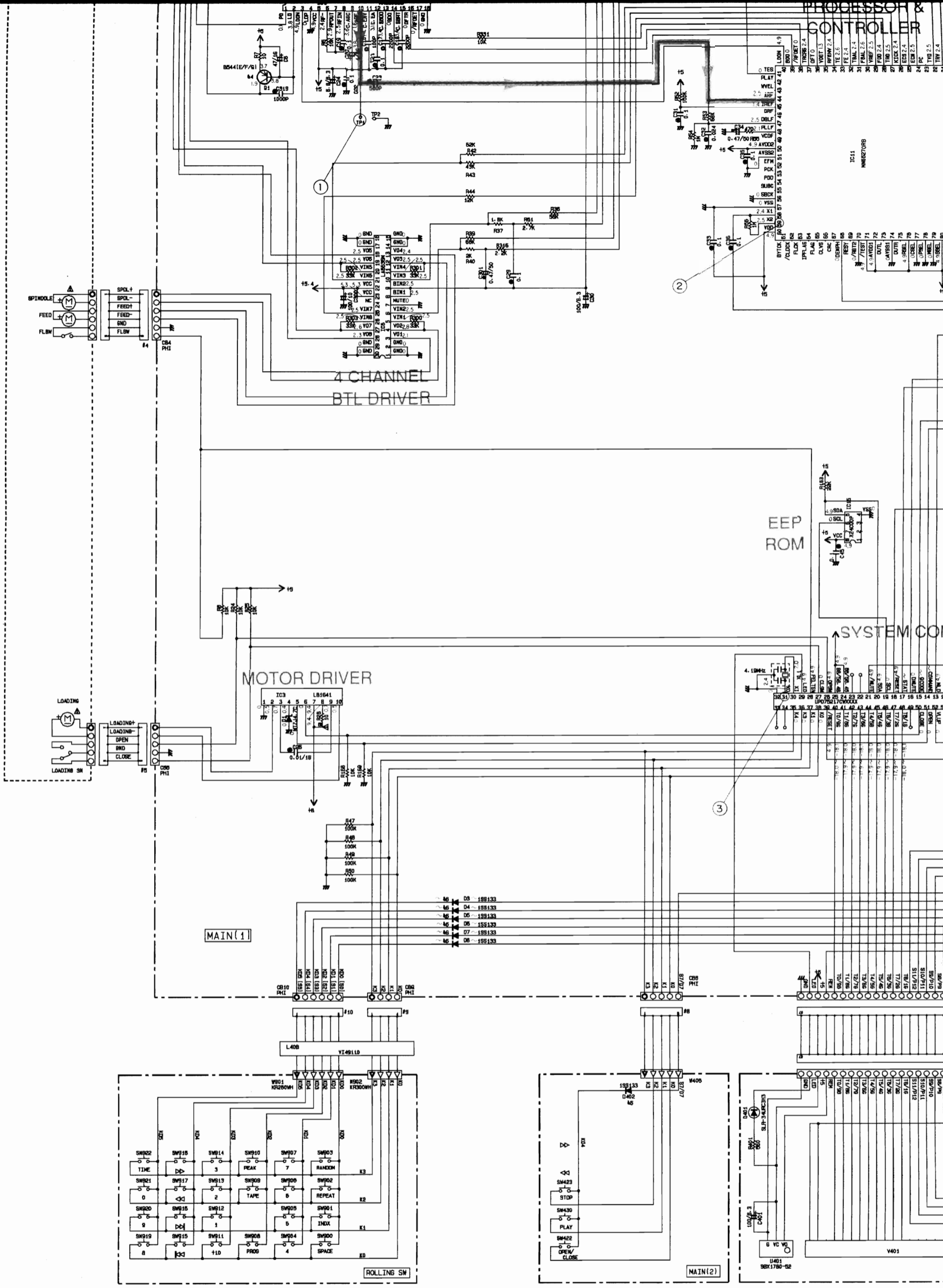
Other ICs
IC11 : MN66270RB → See page 19
IC12 : μPD75217CW → See page 17

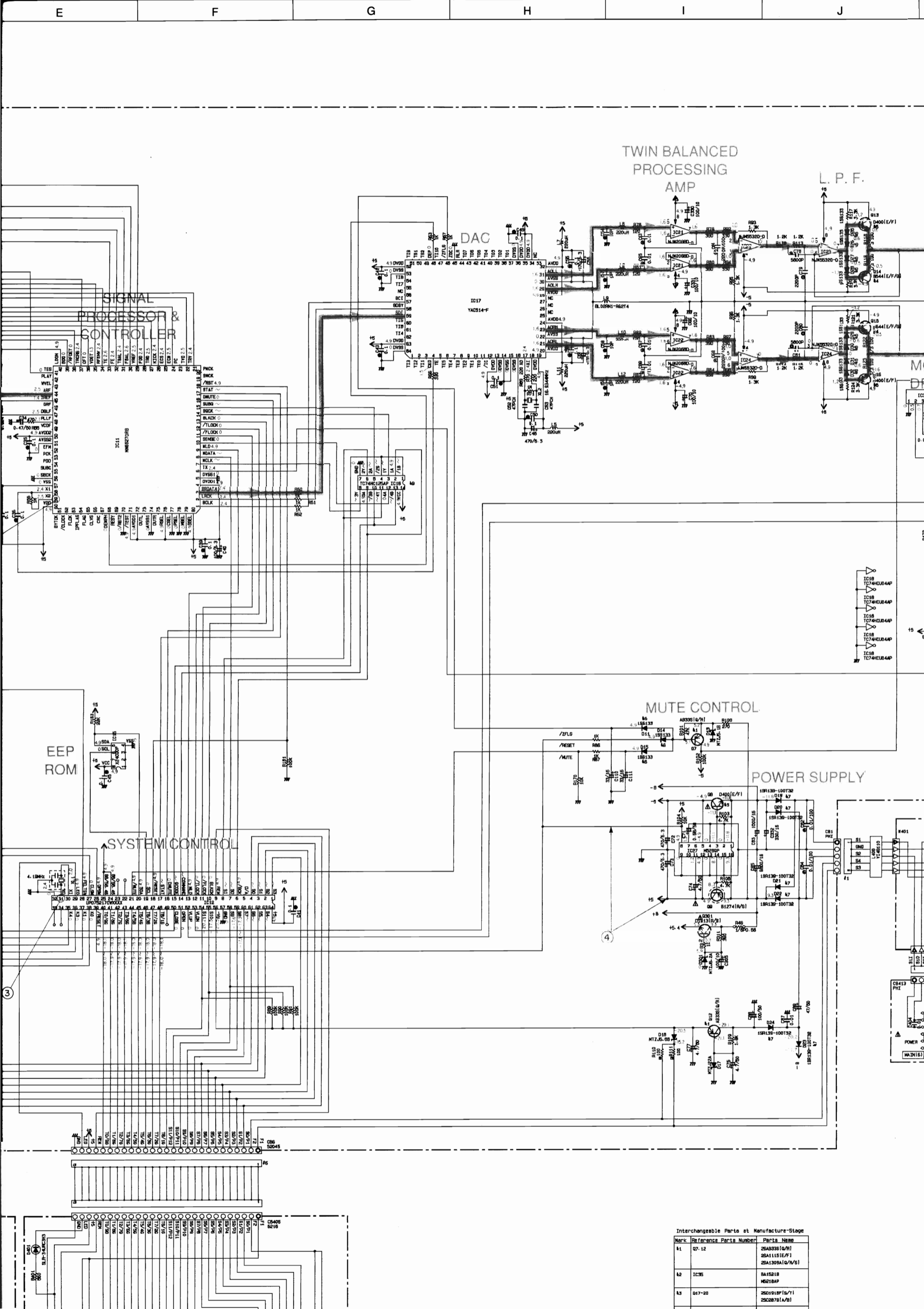
CDX-880 SCHEMATIC DIAGRAM

① to ④ : TEST POINT WAVEFORMS (See page 16)



3
4
5
6
7
8
9
10





TWIN BALANCED
PROCESSING
AMP

L. P. F.

DAC

SIGNAL
PROCESSOR &
CONTROLLER

IC17
YACS14-F

IC11
MS8270B

IC18
TC74HC125AP IC18

MUTE CONTROL

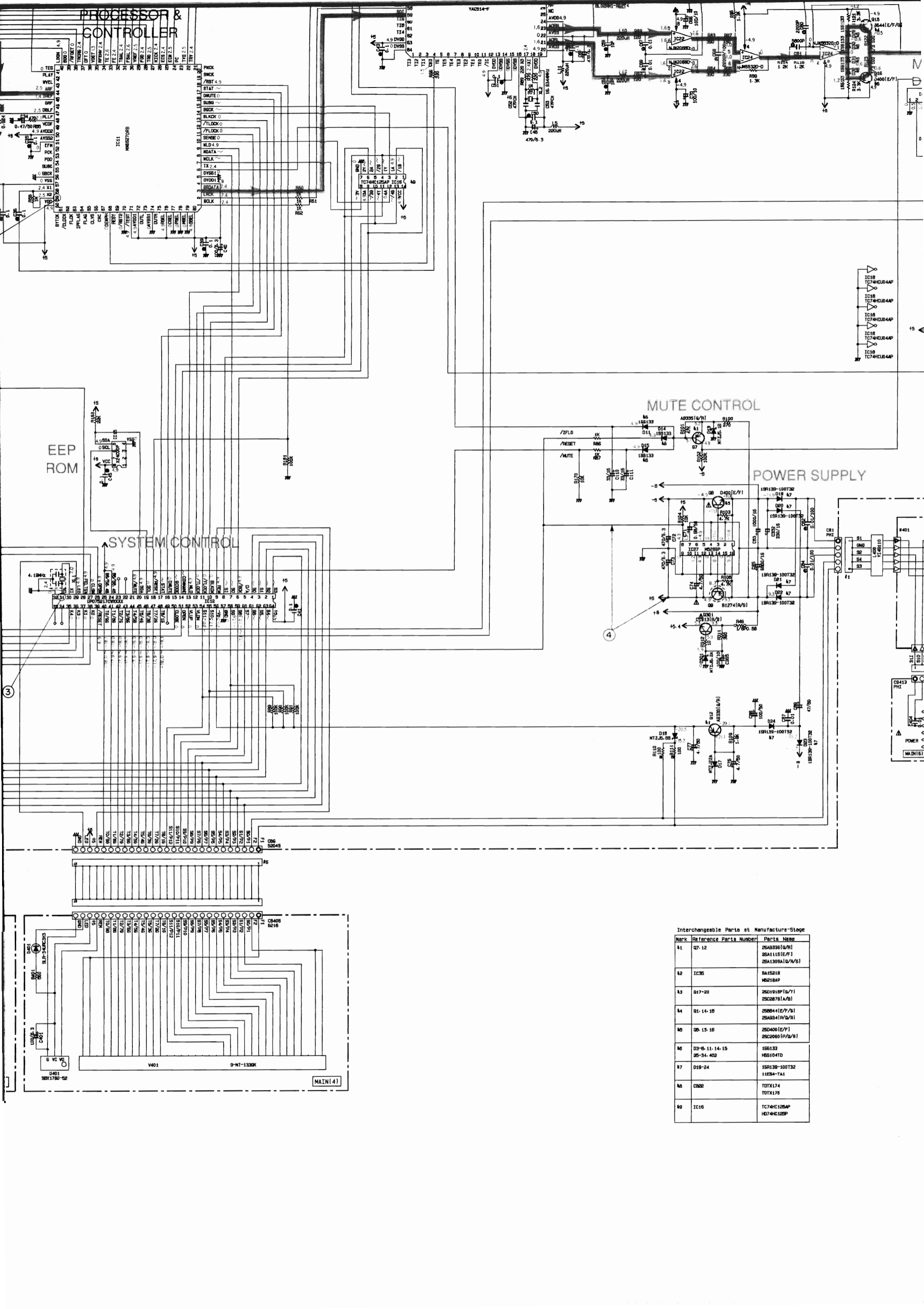
POWER SUPPLY

EEP
ROM

SYSTEM CONTROL

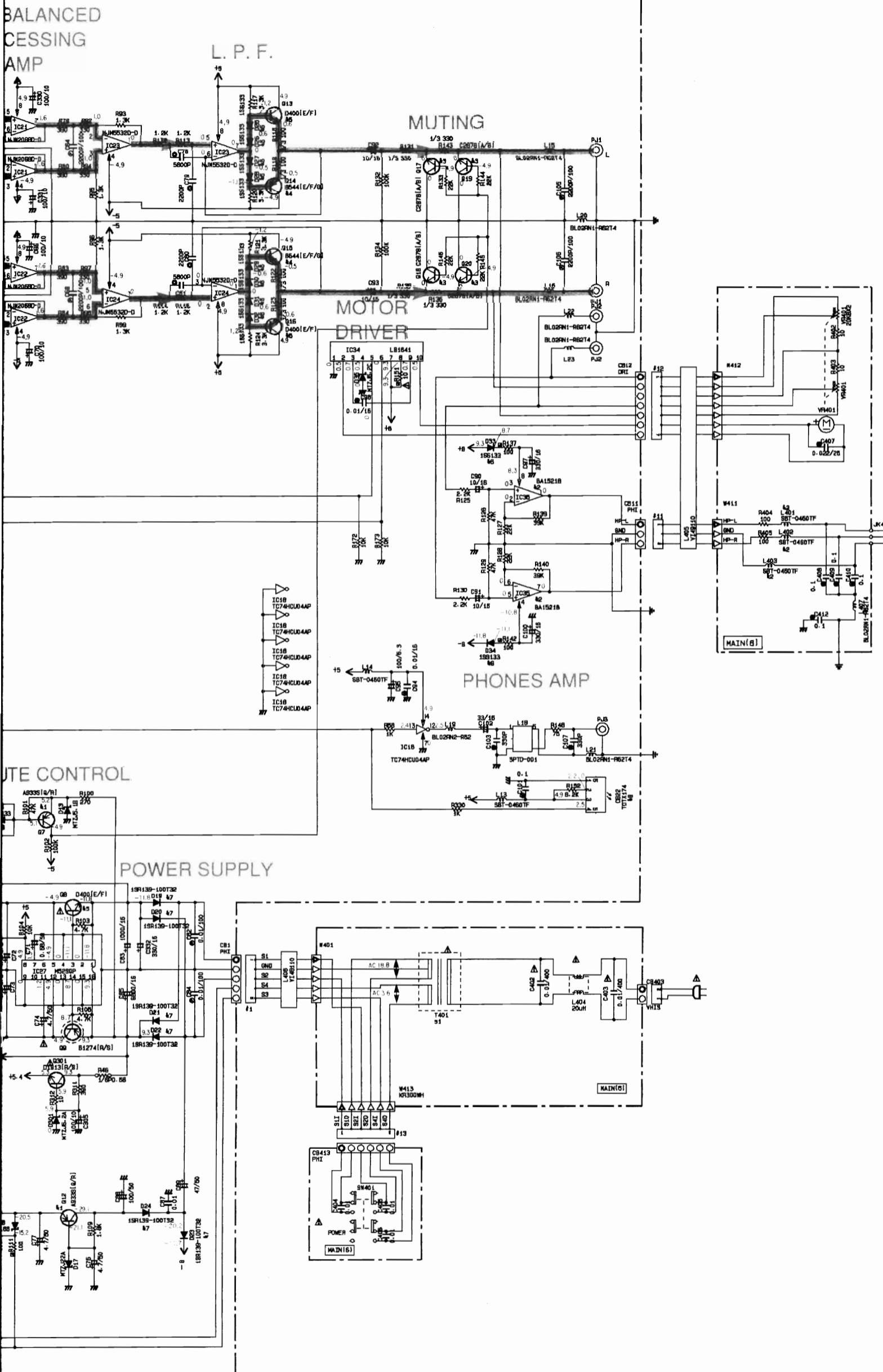
Interchangeable Parts at Manufacture-Stage

Mark	Reference Parts Number	Parts Name
41	07-12	25A0336(O/R) 25A1115(E/F) 25A1309A(G/R/S)
42	IC35	BA15218 MS218AP
43	047-20	25D1918(F/S/Y) 25C2878(A/B)

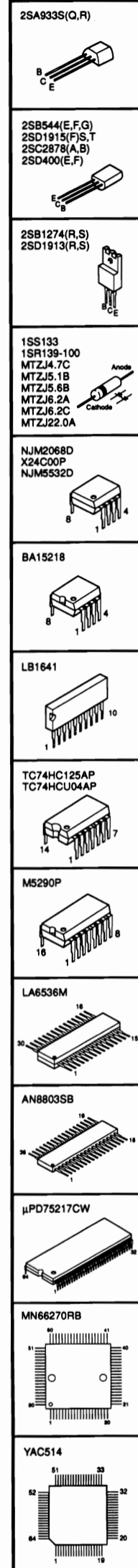


Interchangeable Parts at Manufacture-Stage

Mark	Reference Parts Number	Parts Name
41	Q7-12	2BA936[G/R]
		2BA1115[E/F]
		2BA1308A[G/R/S]
42	IC35	BA15218 M6218AP
43	D17-20	2SD1918P[S/T] 2SC287[A/B]
44	D1-14-10	250044[E/F/S]
		25A934[R/Q/R]
45	D6-13-16	2SD400[E/F]
		2SC2060[P/Q/R]
46	D3-B-11-14-15 25-34-402	18S133
		H8S104TD
47	D19-24	18R138-100T32 11E84-TA1
48	CB22	TDTX174
		TDTX176
49	IC16	TC74HC125P H074HC125P



PIN CONNECTION DIAGRAM OF TRANSISTORS, DIODES AND ICs.

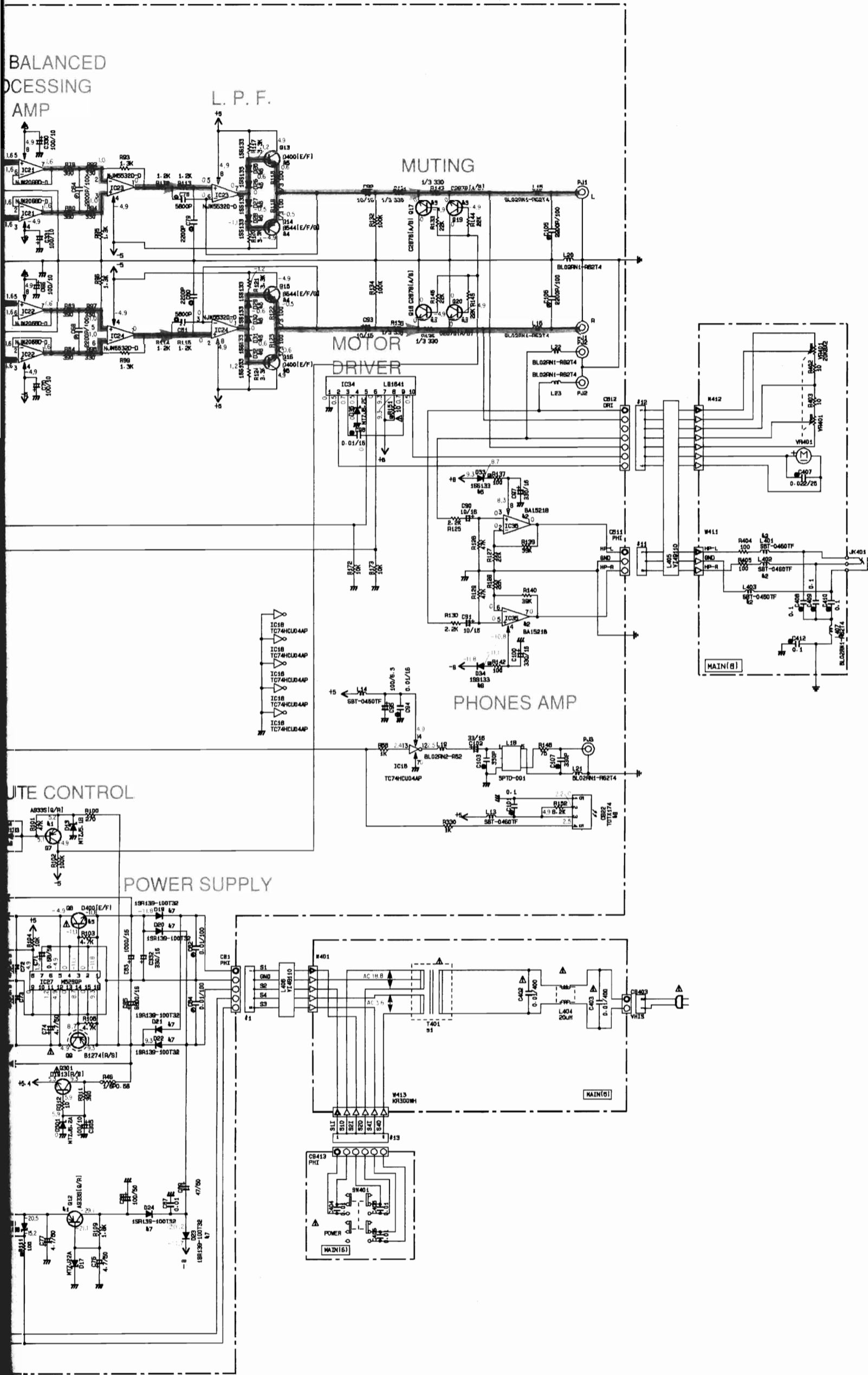


Interchangeable Parts at Manufacture-Stage

Mark	Reference	Parts Number	Parts Name
k1	Q7-12	2SA933S(Q,R) 2SA1115(E,F) 2SA1309A(Q,R/S)	
k2	IC35	BA15218 M6218AP	
k3	D17-20	2SD1915(F/S/T) 2SC2878(A,B)	

#	B	G
1	T401	XN95
2		
3		
4		

PIN CONNECTION DIAGRAM OF TRANSISTORS, DIODES AND ICs.

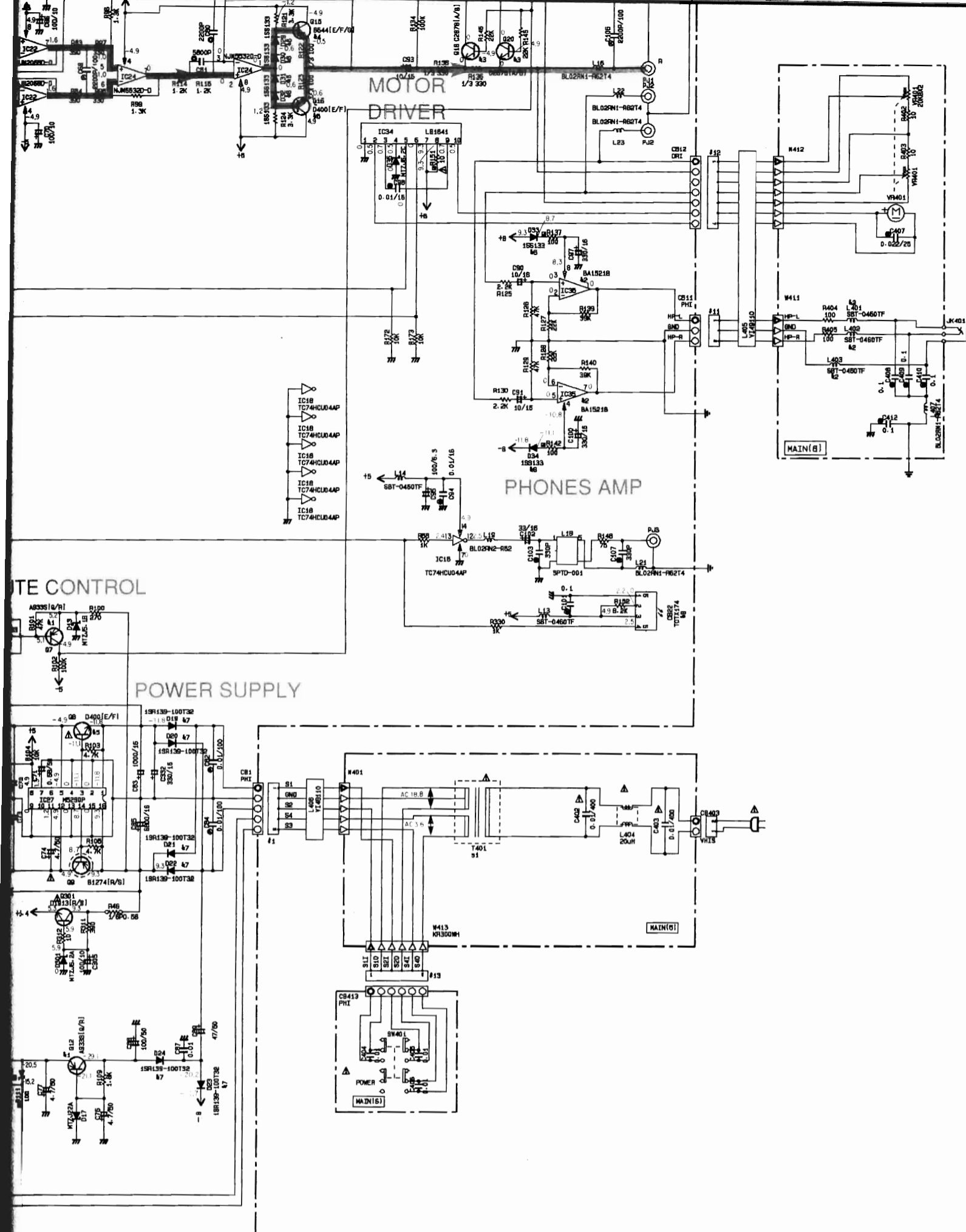


- 2SA933S(Q,R)
- 2SB544(E,F,G)
2SD1915(F,S,T)
2SC2878(A,B)
2SD400(E,F)
- 2SB1274(R,S)
2SD1913(R,S)
- 1SS133
1SR139-100
MTZJ4.7C
MTZJ5.1B
MTZJ5.6B
MTZJ6.2A
MTZJ6.2C
MTZJ22.0A
- NJM2068D
X24C00P
NJM5532D
- BA15218
- LB1641
- TC74HC125AP
TC74HC04AP
- M5290P
- LA6536M
- AN8803SB
- μPD75217CW
- MN66270FB
- YAC514

Interchangeable Parts at Manufacture-Stage

Mark	Reference Parts Number	Parts Name
11	07-12	2SA933S(Q,R) 2SA1115(E,F) 2SA1309A(Q,R/S)
12	IC35	BA15218 M5218AP
13	017-20	2SD1915(F,S,T) 2SC2878(A,B)

#	B	G
1	T401	XN08 XN93
2		
3		
4		



- 1SR139-100
MTZJ4.7C
MTZJ5.1B
MTZJ5.6B
MTZJ6.2A
MTZJ6.2C
MTZJ22.0A
- NJM2068D
X24C00P
NJM5532D
- BA15218
- LB1641
- TC74HC125AP
TC74HCU04AP
- M5290P
- LA6536M
- AN8803SB
- μPD75217CW
- MN66270RB
- YAC514

Interchangeable Parts at Manufacture-Stage

Mark	Reference Parts Number	Parts Name
H1	07-12	2S4833E(G/R) 2S4111SE(F/I) 2S4130SA(G/R/S)
H2	IC35	BA15218 M5218AP
H3	017-20	2S01919P(S/Y/I) 2SC2878(A/B)
H4	01-14-10	2S0041(E/F/S) 2S4834(I/R/S)
H5	05-13-10	2S0400(E/F/I) 2SC2080(P/Q/R)
H6	03-5-11-14-15 25-34-402	1SR133 H6S104TD
H7	018-24	1SR139-100T32 11E34-TA1
H8	CB02	TOTX174 TOTX176
H9	IC16	TC74HC125AP TC74HC125P

Mark	Reference Parts Number	Parts Name
1	T401	XN395 XN393
2		
3		
4		

REMARKS	PARTS NAME	MARK
NO MARK	ELECTROLYTIC CAPACITOR	⊖
NO MARK	TANTALUM CAPACITOR	⊕
NO MARK	CERAMIC CAPACITOR	⊙
⊙	CERAMIC TUBULAR CAPACITOR	⊙
⊙	POLYESTER FILM CAPACITOR	⊙
⊙	POLYSTYRENE FILM CAPACITOR	⊙
⊙	MICA CAPACITOR	⊙
⊙	POLYPROPYLENE FILM CAPACITOR	⊙
●	SEMICONDUCTIVE CERAMIC CAPACITOR	●

REMARKS	PARTS NAME	MARK
NO MARK	CARBON FILM RESISTOR (P=5)	⊠
⊠	CARBON FILM RESISTOR (P=10)	⊠
⊠	METAL OXIDE FILM RESISTOR	⊠
⊠	METAL FILM RESISTOR	⊠
⊠	METAL PLATE RESISTOR	⊠
⊠	FIRE PROOF CARBON FILM RESISTOR	⊠
⊠	CEMENT MOLDED RESISTOR	⊠
⊠	SEMI VARIABLE RESISTOR	⊠
⊠	CHIP RESISTOR	⊠

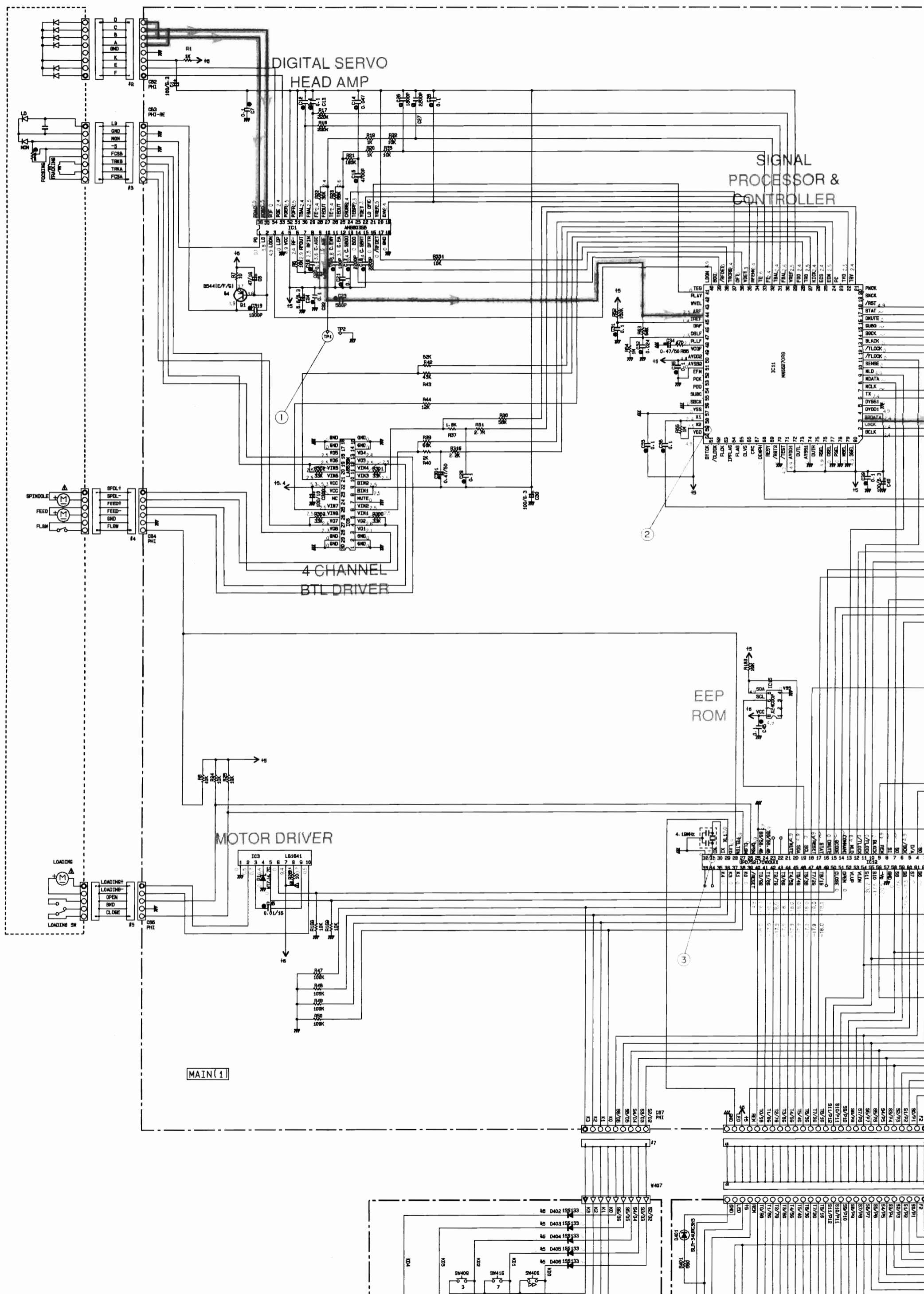
NOTICE
 (J)..... Japanese model
 (U)..... U.S.A model
 (C)..... Canadian model
 (A)..... Australian model
 (E)..... European model
 (B)..... British model
 (R)..... General model
 (P)..... RP model

* All voltage are measured with a 10MΩ/DC electric volt meter.
 * Components having special characteristics are marked ⊠ and must be replaced with parts having specifications equal to those originally installed.
 * Schematic diagram is subject to change without notice.

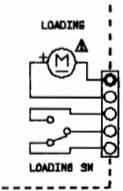
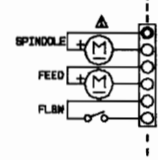
CDX-880

CDX-580 SCHEMATIC DIAGRAM

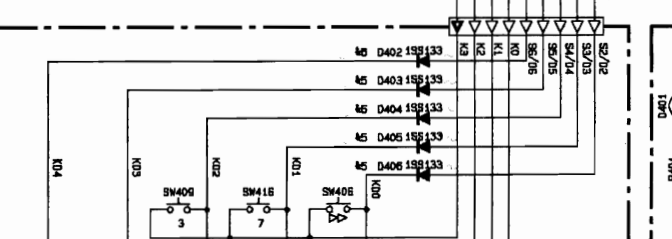
① to ④ : TEST POINT WAVEFORMS (See page 16)



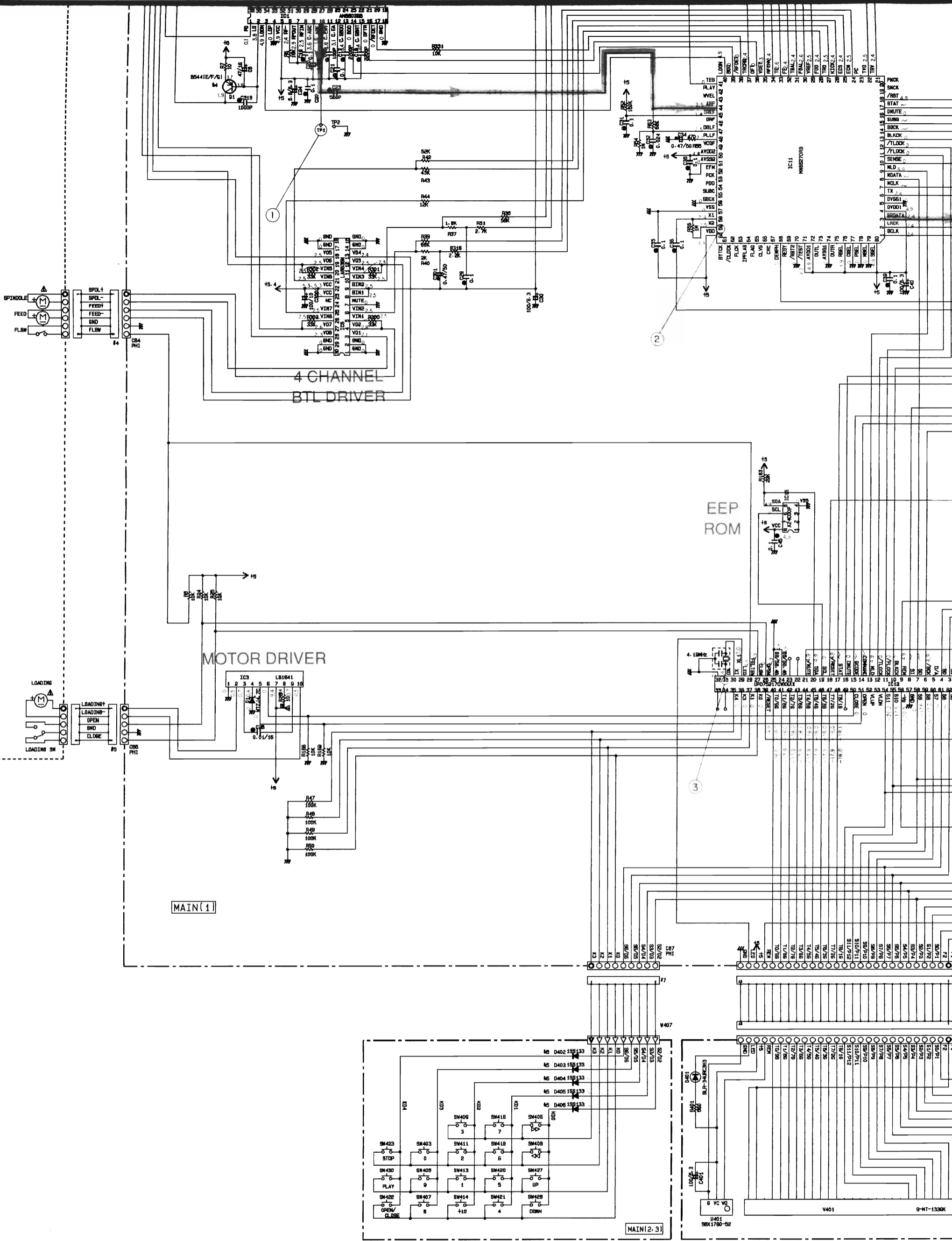
1
2
3
4
5
6
7
8



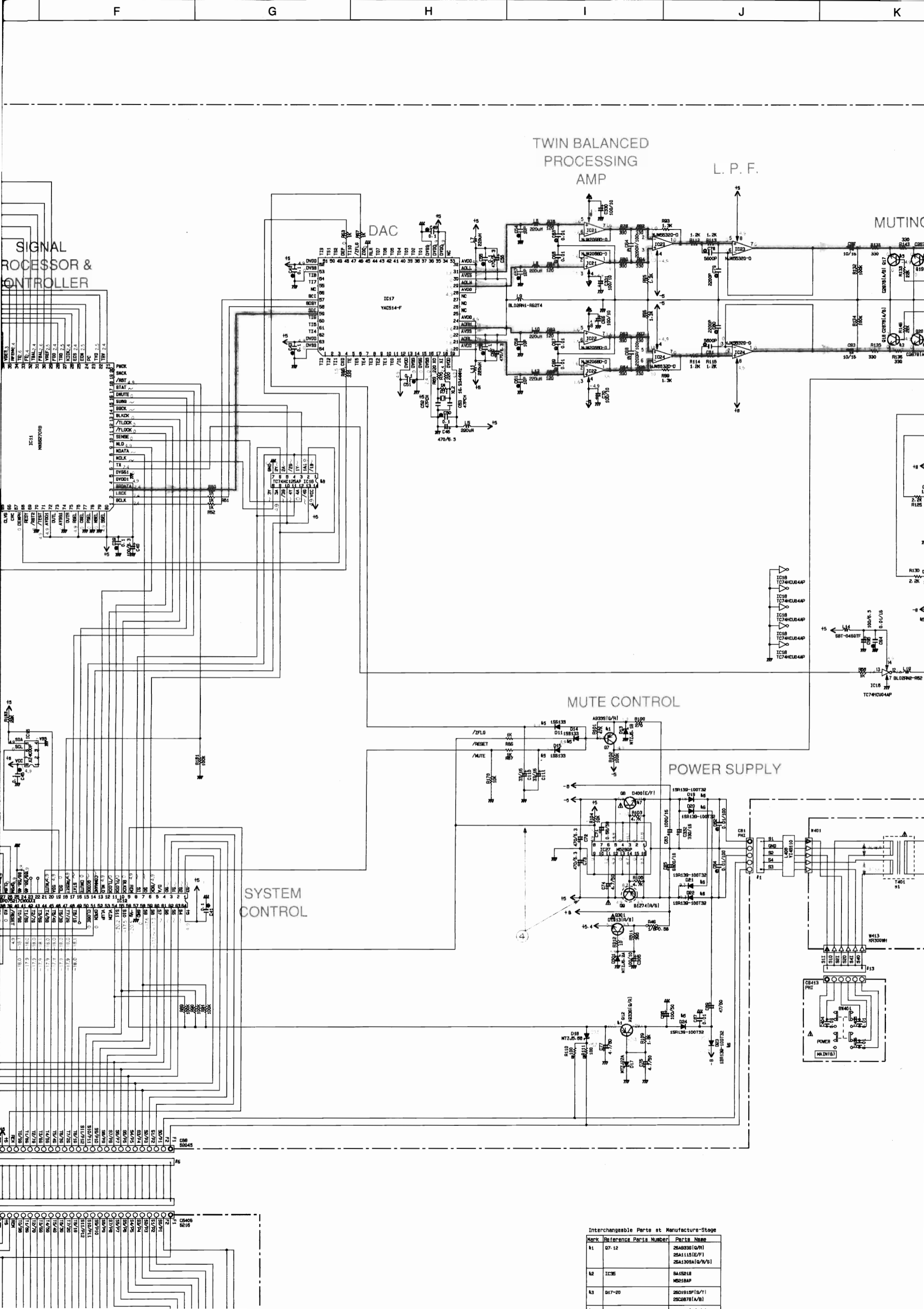
MAIN(1)



3
4
5
6
7
8
9
10



CDX-580



TWIN BALANCED
PROCESSING
AMP
L. P. F.

SIGNAL
PROCESSOR &
CONTROLLER

DAC

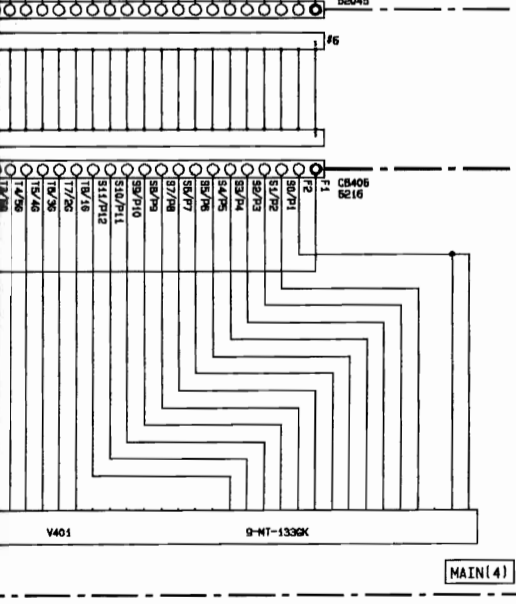
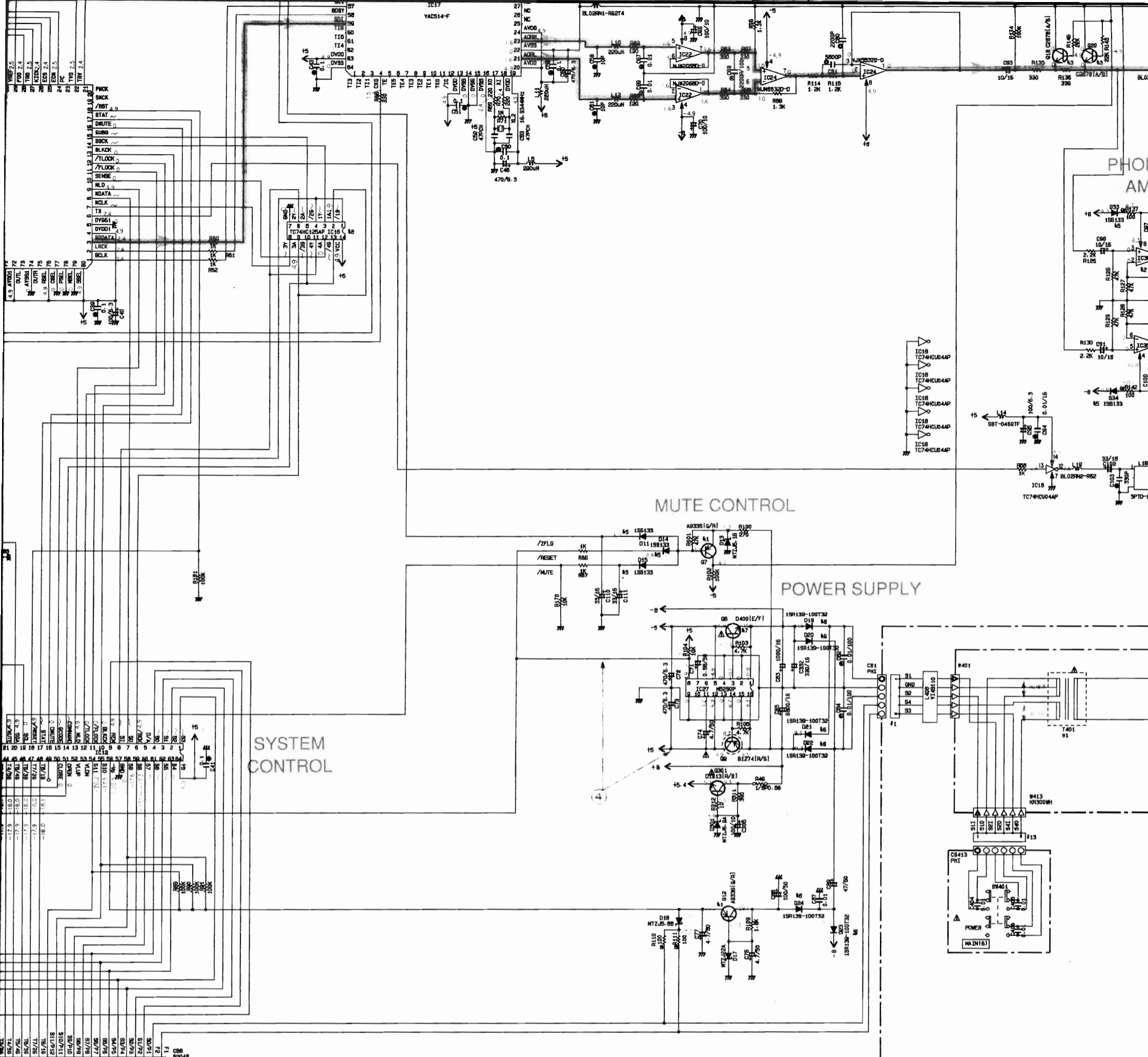
MUTE CONTROL

POWER SUPPLY

SYSTEM
CONTROL

Interchangeable Parts at Manufacture-Stage

Mark	Reference Parts Number	Parts Name
A1	07-12	25A8336(Q/R) 25A1115(E/F) 25A1309A(Q/R/S)
A2	IC35	BA152B NE218AP
A3	047-20	25D1910P(S/Y) 25C2878(A/B)



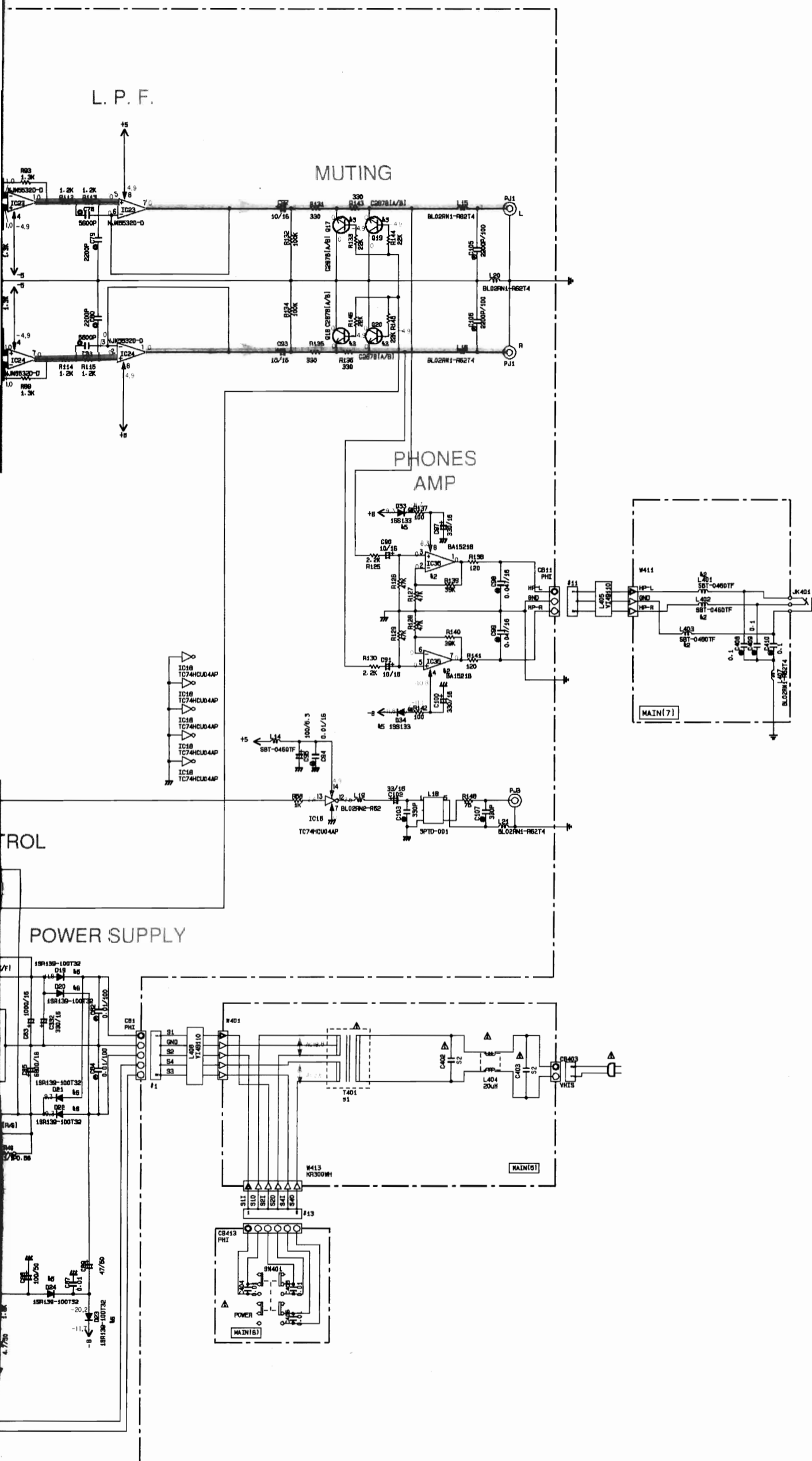
Interchangeable Parts at Manufacture-Stage

Mark	Reference Parts Number	Parts Name
11	07-12	26A9338(Q/R) 26A1115(E/F) 26A1309A(Q/R/S)
12	IC35	8A15218 M2E18AP
13	017-20	26D1918P(S/T) 26C2878(A/B)
14	01	26D044(E/F/S) 26A934(P/Q/R)
15	D11-14-10-53-34 402-406	155139 HS3104TD
16	D18-24	15R138-100T32 11E84-TA1
17	00	26D400(E/F) 26C2080(P/Q/R)
18	IC16	TC74HC125AP H074HC125P

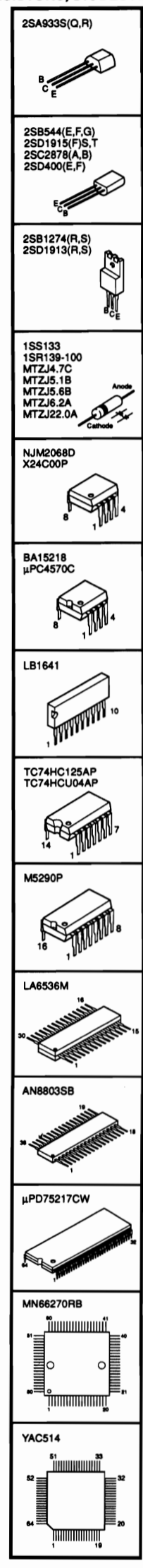
CAPACITOR

REMARKS	NO. MARK	ELE
(J)...	TAN	
(U)...	CER	
(C)...	POL	
(A)...	POL	
(B)...	MIC	
(P)...	POL	
(P)...	SEM	

NOTI
(J) ...
(U) ...
(C) ...
(A) ...
(B) ...
(P) ...



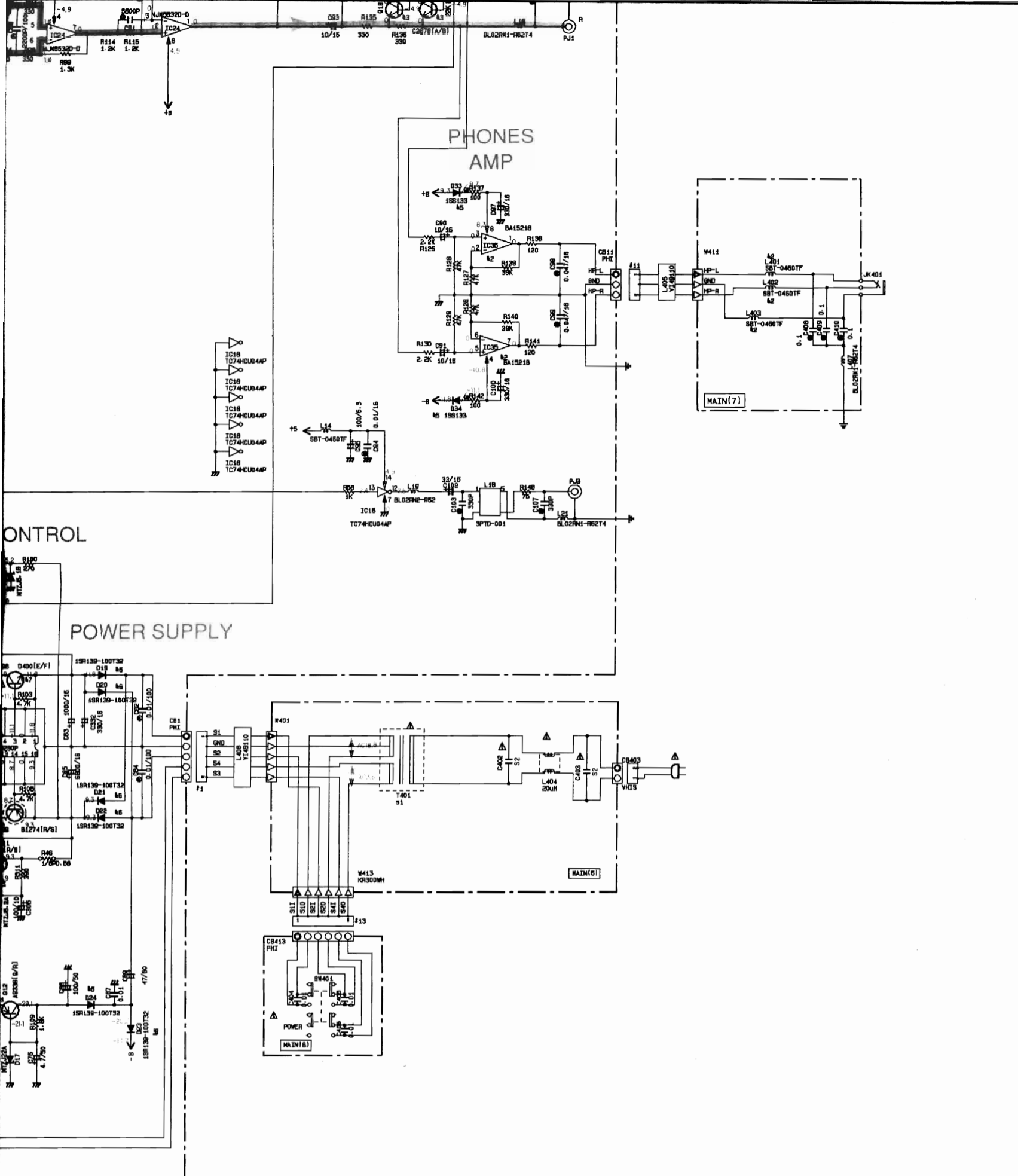
PIN CONNECTION DIAGRAM OF TRANSISTORS, DIODES AND ICs.



Parts at Manufacture-Stage

Part No.	Part Name
2SA933S(Q/R)	2SA933S(Q/R)
2SA1115(E/F)	2SA1115(E/F)
2SA1309A(Q/R/S)	2SA1309A(Q/R/S)
BA15218	BA15218
2SD1915(F/S/T)	2SD1915(F/S/T)
2SC2878(A/B)	2SC2878(A/B)

#	B	G	J
1	T401	XN085	XN396
2	C402, 403	0.01/400	0.01/250
3			
4			



- MTZJ5.6B
MTZJ6.2A
MTZJ22.0A
- NJM2068D
X24C00P
- BA15218
μPC4570C
- LB1641
- TC74HC125AP
TC74HCU04AP
- M5290P
- LA6536M
- AN8803SB
- μPD75217CW
- MN66270RB
- YACS14

Replace Parts at Manufacture-Stage

Original Parts Number	Parts Name
25A0930(Q/P)	25A1151E(F)
25A1151E(F)	25A1309A(Q/R/S)
BA15218	BA15218P
25D1910P(S/T)	25C0878(A/B)
25S041E(F/R)	25A934(P/Q/R)
15S133	HBS104TD
15R139-100T32	11E94-TA1
25D400E(F)	25C2080(P/Q/R)
TC74HC125AP	HD74HC125P

#	B	G	J
1	T401	XN995	XN993
2	C402, 403	0.01/400	0.01/250
3			
4			

REMARKS	PARTS NAME
NO MARK	ELECTROLYTIC CAPACITOR
⊕	TANTALUM CAPACITOR
NO MARK	CERAMIC CAPACITOR
⊙	CERAMIC TUBULAR CAPACITOR
⊖	POLYESTER FILM CAPACITOR
⊕	POLYSTYRENE FILM CAPACITOR
⊖	MICA CAPACITOR
⊙	POLYPROPYLENE FILM CAPACITOR
⊕	SEMICONDUCTIVE CERAMIC CAPACITOR
NO MARK	CARBON FILM RESISTOR (P=5)
⊖	CARBON FILM RESISTOR (P=10)
⊕	METAL GLAZE FILM RESISTOR
⊖	METAL FILM RESISTOR
⊕	METAL PLATE RESISTOR
⊖	FIRE PROOF CARBON FILM RESISTOR
⊕	CEMENT WOLDED RESISTOR
⊖	SEMI VARIABLE RESISTOR
⊕	CHIP RESISTOR

NOTICE
 (J)..... Japanese model
 (U)..... U.S.A model
 (C)..... Canadian model
 (A)..... Australian model
 (G)..... European model
 (B)..... British model
 (R)..... General model
 (P)..... RP model

- * All voltage are measured with a 10MΩ/DC electric volt meter.
- * Components having special characteristics are marked Δ and must be replaced with parts having specifications equal to those originally installed.
- * Schematic diagram is subject to change without notice.

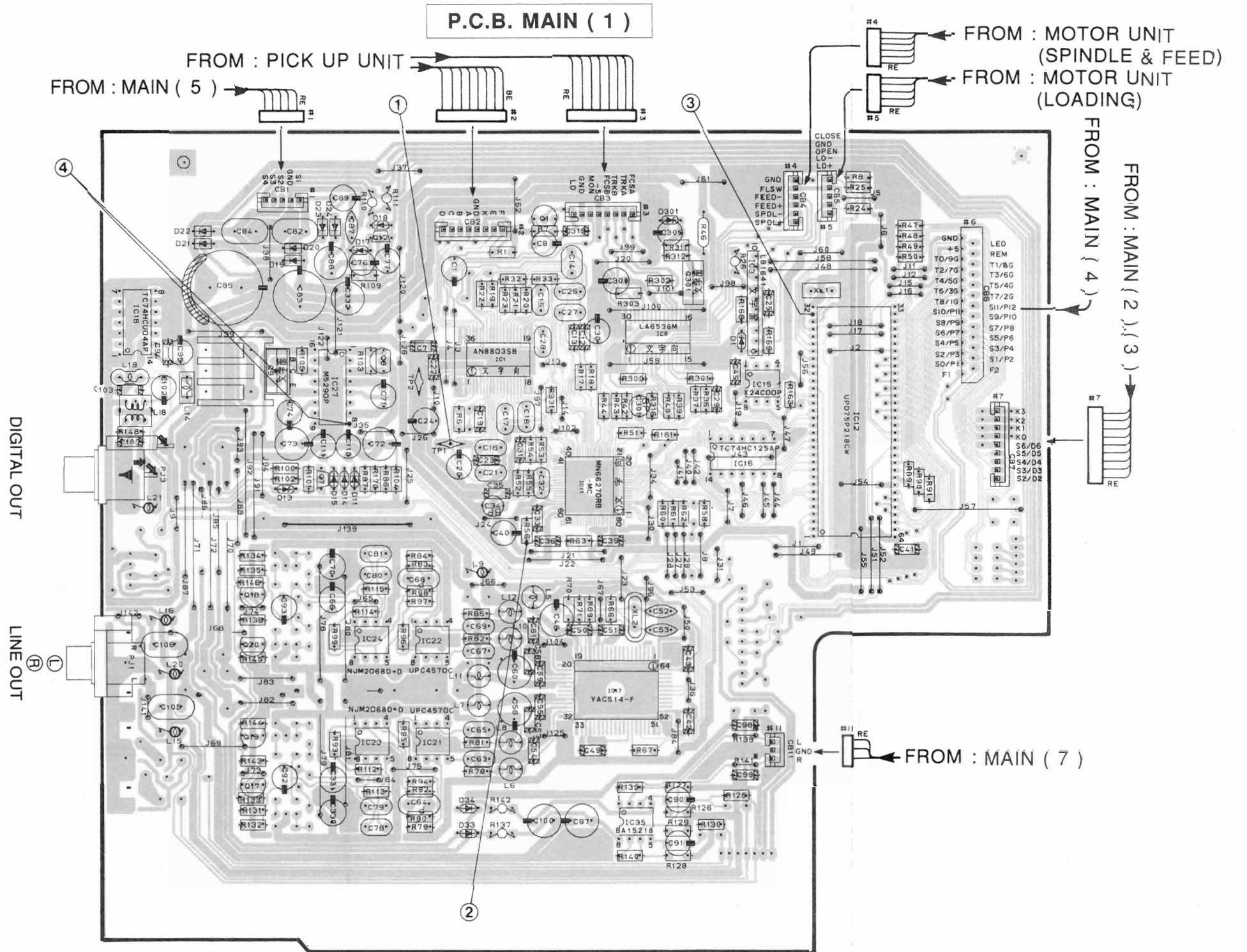
■ CDX-580 PRINTED CIRCUIT BOARD (Foil side)

① to ④ : TEST POINT WAVEFORMS (See page 16)

● Semiconductor Location

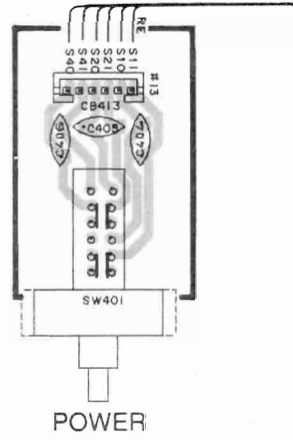
Ref. No.	Location
IC 1	E3
IC 3	F3
IC 6	E3
IC11	E3
IC12	F3
IC15	F3
IC16	F3
IC17	E4
IC18	C3
IC21	D4
IC22	D4
IC23	D4
IC24	D4
IC27	D3
IC35	E5

Ref. No.	Location
Q 1	E2
Q 7	D3
Q 8	D3
Q 9	D3
Q 12	D2
Q 17	D5
Q 18	D4
Q 19	D5
Q 20	D4
Q301	E3

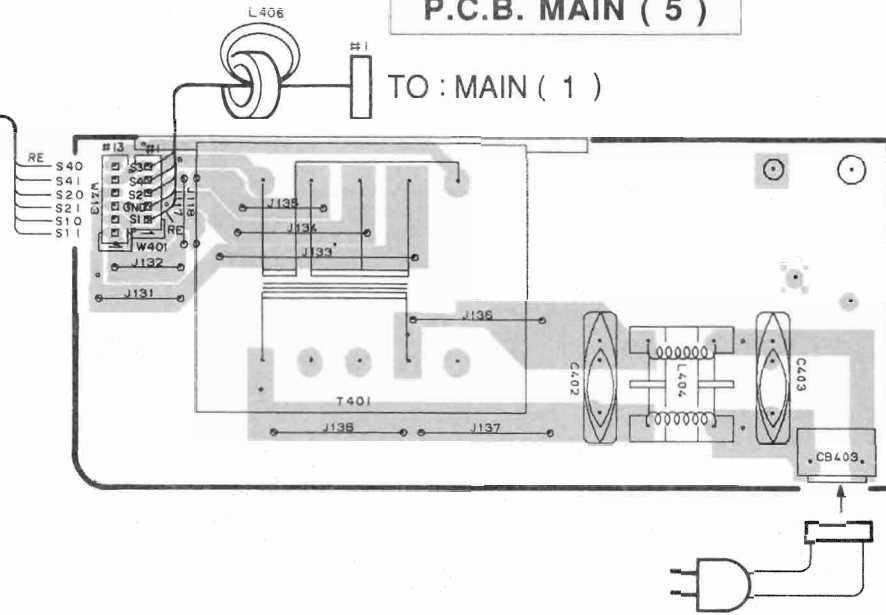


CDX-580 PRINTED CIRCUIT BOARD (Foil side)

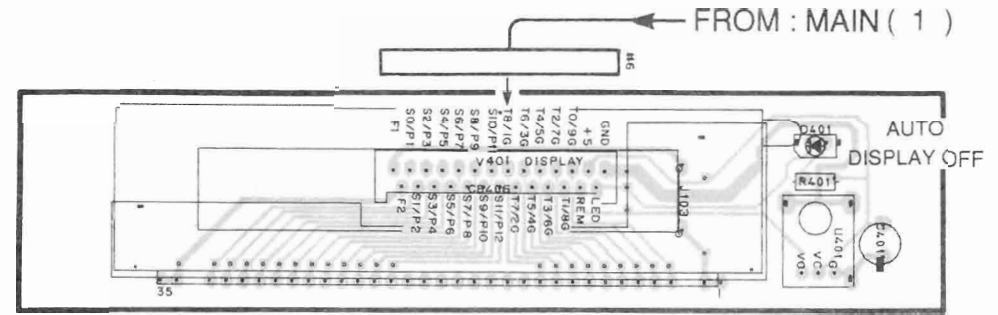
P.C.B. MAIN (6)



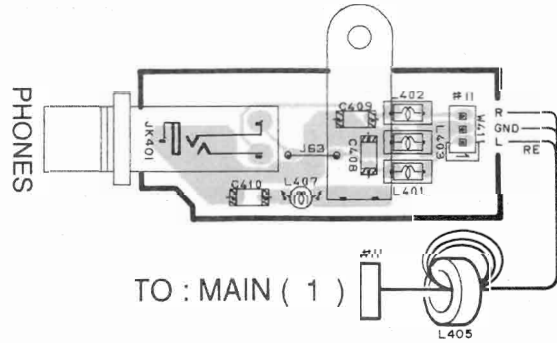
P.C.B. MAIN (5)



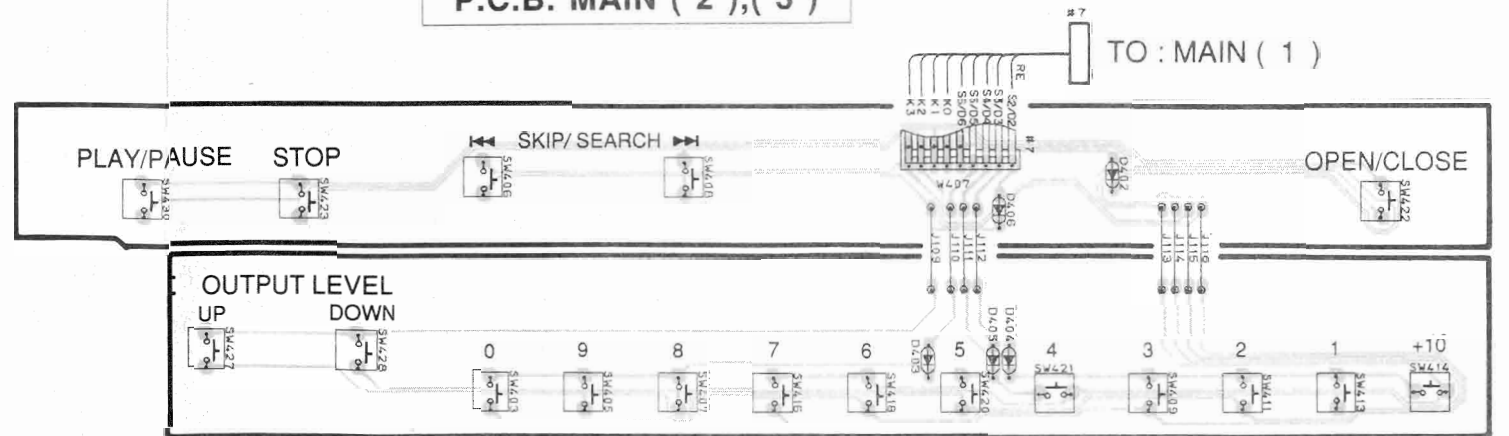
P.C.B. MAIN (4)



P.C.B. MAIN (7)



P.C.B. MAIN (2), (3)



PARTS LIST

■ ELECTRICAL PARTS

■ WARNING

Components having special characteristics are marked \triangle and must be replaced with parts having specifications equal to those originally installed.

- Carbon resistors (1/6W or 1/4W) are not included in the ELECTRICAL PARTS List. For the parts No. of the carbon resistors, refer to last page.

ABBREVIATIONS IN THIS LIST ARE AS FOLLOWS :

C.A.EL.CHP	: CHIP ALUMI. ELECTROLYTIC CAP	L.EMIT	: LIGHT EMITTING MODULE
C.CE	: CERAMIC CAP	LED.DSPLY	: LED DISPLAY
C.CE.ARRAY	: CERAMIC CAP ARRAY	LED.INFRD	: LED, INFRARED
C.CE.CHP	: CHIP CERAMIC CAP	MODUL.RF	: MODULATOR, RF
C.CE.ML	: MULTILAYER CERAMIC CAP	PHOT.CPL	: PHOTO COUPLER
C.CE.M.CHP	: CHIP MULTILAYER CERAMIC CAP	PHOT.INTR	: PHOTO INTERRUPTER
C.CE.SAFTY	: RECOGNIZED CERAMIC CAP	PHOT.RFLCT	: PHOTO REFLECTOR
C.CE.TUBLR	: CERAMIC TUBULAR CAP	PIN.TEST	: PIN, TEST POINT
C.CE.SMI	: SEMI CONDUCTIVE CERAMIC CAP	PLST.RIVET	: PLASTIC RIVET
C.EL	: ELECTROLYTIC CAP	R.ARRAY	: RESISTOR ARRAY
C.MICA	: MICA CAP	R.CAR	: CARBON RESISTOR
C.ML.FLM	: MULTILAYER FILM CAP	R.CAR.CHP	: CHIP RESISTOR
C.MP	: METALLIZED PAPER CAP	R.CAR.FP	: FLAME PROOF CARBON RESISTOR
C.MYLAR	: MYLAR FILM CAP	R.FUS	: FUSABLE RESISTOR
C.MYLAR.ML	: MULTILAYER MYLAR FILM CAP	R.MTL.CHP	: CHIP METAL FILM RESISTOR
C.PAPER	: PAPER CAPACITOR	R.MTL.FLM	: METAL FILM RESISTOR
C.PLS	: POLYSTYRENE FILM CAP	R.MTL.OXD	: METAL OXIDE FILM RESISTOR
C.POL	: POLYESTER FILM CAP	R.MTL.PLAT	: METAL PLATE RESISTOR
C.POLY	: POLYETHYLENE FILM CAP	RSNR.CE	: CERAMIC RESONATOR
C.PP	: POLYPROPYLENE FILM CAP	RSNR.CRYS	: CRYSTAL RESONATOR
C.TNTL	: TANTALUM CAP	R.TW.CEM	: TWIN CEMENT FIXED RESISTOR
C.TNTL.CHP	: CHIP TANTALUM CAP	R.WW	: WIRE WOUND RESISTOR
C.TRIM	: TRIMMER CAP	SCR.BND.HD	: BIND HEAD B-TITE SCREW
CN	: CONNECTOR	SCR.BW.HD	: BW HEAD TAPPING SCREW
CN.BS.PIN	: CONNECTOR, BASE PIN	SCR.CUP	: CUP TITE SCREW
CN.CANNON	: CONNECTOR, CANNON	SCR.TERM	: SCREW TERMINAL
CN.DIN	: CONNECTOR, DIN	SCR.TR	: SCREW, TRANSISTOR
CN.FLAT	: CONNECTOR, FLAT CABLE	SUPRT.PCB	: SUPPORT, P.C.B.
CN.POST	: CONNECTOR, BASE POST	SURG.PRTCT	: SURGE PROTECTOR
COIL.MX.AM	: COIL, AM MIX	SW.TACT	: TACT SWITCH
COIL.AT.FM	: COIL, FM ANTENNA	SW.LEAF	: LEAF SWITCH
COIL.DT.FM	: COIL, FM DETECT	SW.LEVER	: LEVER SWITCH
COIL.MX.FM	: COIL, FM MIX	SW.MICRO	: MICRO SWITCH
COIL.OUTPT	: OUTPUT COIL	SW.PUSH	: PUSH SWITCH
DIOD.ARRAY	: DIODE ARRAY	SW.RT.ENC	: ROTARY ENCODER
DIODE.BRG	: DIODE BRIDGE	SW.RT.MTR	: ROTARY SWITCH WITH MOTOR
DIODE.CHP	: CHIP DIODE	SW.RT	: ROTARY SWITCH
DIODE.VAR	: VARACTOR DIODE	SW.SLIDE	: SLIDE SWITCH
DIOD.Z.CHP	: CHIP ZENER DIODE	TERM.SP	: SPEAKER TERMINAL
DIODE.ZENR	: ZENER DIODE	TERM.WRAP	: WRAPPING TERMINAL
DSCR.CE	: CERAMIC DISCRIMINATOR	THRMST.CHP	: CHIP THERMISTOR
FER.BEAD	: FERRITE BEADS	TR.CHP	: CHIP TRANSISTOR
FER.CORE	: FERRITE CORE	TR.DGT	: DIGITAL TRANSISTOR
FET.CHP	: CHIP FET	TR.DGT.CHP	: CHIP DIGITAL TRANSISTOR
FL.DSPLY	: FLUORESCENT DISPLAY	TRANS	: TRANSFORMER
FLTR.CE	: CERAMIC FILTER	TRANS.PULS	: PULSE TRANSFORMER
FLTR.COMB	: COMB FILTER MODULE	TRANS.PWR	: POWER TRANSFORMER ASS'y
FLTR.LC.RF	: LC FILTER, EMI	TUNER.AM	: TUNER PACK, AM
GND.MTL	: GROUND PLATE	TUNER.FM	: TUNER PACK, FM
GND.TERM	: GROUND TERMINAL	TUNER.PK	: FRONT-END TUNER PACK
HOLDER.FUS	: FUSE HOLDER	VR	: ROTARY POTENTIOMETER
IC.PRTCT	: IC PROTECTOR	VR.MTR	: POTENTIOMETER WITH MOTOR
JUMPER.CN	: JUMPER CONNECTOR	VR.SW	: POTENTIOMETER WITH ROTARY SW
JUMPER.TST	: JUMPER, TEST POINT	VR.SLIDE	: SLIDE POTENTIOMETER
L.DTCT	: LIGHT DETECTING MODULE	VR.TRIM	: TRIMMER POTENTIOMETER

Note) Those parts marked with "#" are not included in the P.C.B. ass'y.

CDX-580 P.C.B. MAIN

Schm Ref.	PART NO.	Description		
* VR396500	P. C. B.	MAIN(B)		
* VR396600	P. C. B.	MAIN(G)		
CB1	VD004800	CN. BS. PIN	5P	
CB2	VD005100	CN. BS. PIN	8P	
CB3	VK506300	CN. BS. PIN	8P	
CB4	VD004900	CN. BS. PIN	6P	
CB5	VD004800	CN. BS. PIN	5P	
* CB6	VQ047800	CN. BS. PIN	27P	
* CB7	VB390500	CN. BS. PIN	9P	
CB11	VD004600	CN. BS. PIN	3P	
CB403	VG879900	CN. BS. PIN	2P	
CB406	VR062400	CN. BS. PIN	27P	
CB413	VD004900	CN. BS. PIN	6P	
C1	VF760000	C. EL	100uF	10V
C7	VH053100	C. CE. TUBLR	0.1uF	50V
C8	VJ837200	C. EL	47uF	16V
C12	VH053100	C. CE. TUBLR	0.1uF	50V
C13	VH053100	C. CE. TUBLR	0.1uF	50V
C14	UA654470	C. MYLAR	0.047uF	50V
C15	UA653470	C. MYLAR	4700pF	50V
C16	UA652100	C. MYLAR	100pF	50V
C17	UA653220	C. MYLAR	2200pF	50V
C18	UA653220	C. MYLAR	2200pF	50V
C19	VH053100	C. CE. TUBLR	0.1uF	50V
C20	VJ839100	C. EL	1uF	50V
C21	UA655100	C. MYLAR	0.1uF	50V
C22	VH053100	C. CE. TUBLR	0.1uF	50V
C23	VG278800	C. CE. TUBLR	560pF	50V
C24	VR498100	C. EL	6.8uF	6.3V
C25	VF467300	C. CE. TUBLR	0.01uF	16V
C26	UA653180	C. MYLAR	1800pF	50V
C27	UA653220	C. MYLAR	2200pF	50V
C28	UA655100	C. MYLAR	0.1uF	50V
C29	VH053100	C. CE. TUBLR	0.1uF	50V
C30	VF760000	C. EL	100uF	10V
C31	VH053100	C. CE. TUBLR	0.1uF	50V
* C32	UA654240	C. MYLAR	0.024uF	50V
C33	VH053100	C. CE. TUBLR	0.1uF	50V
* C34	UK665470	C. EL	0.47uF	50V
C35	VH053100	C. CE. TUBLR	0.1uF	50V
C36	VH053100	C. CE. TUBLR	0.1uF	50V
C39	VH053100	C. CE. TUBLR	0.1uF	50V
C40	VF760000	C. EL	100uF	10V
C41	VH053100	C. CE. TUBLR	0.1uF	50V
C42	VH053100	C. CE. TUBLR	0.1uF	50V
C43	VH053100	C. CE. TUBLR	0.1uF	50V
C45	VH053100	C. CE. TUBLR	0.1uF	50V
C48	VG287100	C. EL	470uF	10V
C49	VH053100	C. CE. TUBLR	0.1uF	50V
C50	VH053100	C. CE. TUBLR	0.1uF	50V
C51	VH053100	C. CE. TUBLR	0.1uF	50V
C52	VA761400	C. CE	47pF	50V
C53	VA761400	C. CE	47pF	50V

* New Parts

Schm Ref.	PART NO.	Description		
C54	VF466600	C. CE. TUBLR	10pF	50V
C55	VH053100	C. CE. TUBLR	0.1uF	50V
C56	VG287100	C. EL	470uF	10V
C57	VF466600	C. CE. TUBLR	10pF	50V
C58	VF466600	C. CE. TUBLR	10pF	50V
C59	VH053100	C. CE. TUBLR	0.1uF	50V
C60	VG287100	C. EL	470uF	10V
C61	VF466600	C. CE. TUBLR	10pF	50V
C63	UA654100	C. MYLAR	0.01uF	50V
C64	VP847100	C. PP	2200pF	100V
C65	UA654100	C. MYLAR	0.01uF	50V
C66	VP809500	C. EL	100uF	10V
C67	UA654100	C. MYLAR	0.01uF	50V
C68	VP847100	C. PP	2200pF	100V
C69	UA654100	C. MYLAR	0.01uF	50V
C70	VP809500	C. EL	100uF	10V
C71	UJ865680	C. EL	0.68uF	50V
C72	VG287100	C. EL	470uF	10V
C73	VG287100	C. EL	470uF	10V
C74	UM416470	C. EL	4.7uF	50V
C76	UM416470	C. EL	4.7uF	50V
C77	UM416470	C. EL	4.7uF	50V
C78	Vi716400	C. MYLAR	5600pF	50V
C79	Vi715900	C. MYLAR	2200pF	50V
C80	Vi715900	C. MYLAR	2200pF	50V
C81	Vi716400	C. MYLAR	5600pF	50V
C82	VK534100	C. PP	0.01uF	100V
C83	VG288000	C. EL	1000uF	16V
C84	UT454100	C. PP	0.01uF	100V
C85	Vi578400	C. EL	6800uF	16V
C87	UG444100	C. CE	0.01uF	50V
C88	UJ668100	C. EL	100uF	50V
C89	UJ667470	C. EL	47uF	50V
C90	VJ836900	C. EL	10uF	16V
C91	VJ836900	C. EL	10uF	16V
C92	VR619800	C. EL	10uF	16V
C93	VR619800	C. EL	10uF	16V
C94	VF467300	C. CE. TUBLR	0.01uF	16V
C95	VF760000	C. EL	100uF	10V
C97	UJ638330	C. EL	330uF	16V
C98	VJ599000	C. CE. TUBLR	0.047uF	16V
C99	VJ599000	C. CE. TUBLR	0.047uF	16V
C100	UJ638330	C. EL	330uF	16V
C102	UM397330	C. EL	33uF	16V
C103	VG278600	C. CE. TUBLR	330pF	50V
C105	VL883800	C. PP	2200pF	100V
C106	VL883800	C. PP	2200pF	100V
C107	VG278600	C. CE. TUBLR	330pF	50V
C110	UM397330	C. EL	33uF	16V
C111	UM397330	C. EL	33uF	16V
C300	VF760000	C. EL	100uF	10V
* C301	UK665470	C. EL	0.47uF	50V
C305	VF760000	C. EL	100uF	10V

* New Parts

CDX-580 P.C.B. MAIN

Schm Ref.	PART NO.	Description		
C319	VF467000	C. CE. TUBLR	1000pF	50V
C330	VP809500	C. EL	100uF	10V
C331	VP809500	C. EL	100uF	10V
C332	VG287800	C. EL	330uF	16V
C401	VF760000	C. EL	100uF	10V
△ C402	VE179200	C. CE. SAFTY	0.01uF	400V
△ C403	VE179200	C. CE. SAFTY	0.01uF	400V
C404	UG444100	C. CE	0.01uF	50V
C405	UG444100	C. CE	0.01uF	50V
C406	UG444100	C. CE	0.01uF	50V
C408	VH053100	C. CE. TUBLR	0.1uF	50V
C409	VH053100	C. CE. TUBLR	0.1uF	50V
C410	VH053100	C. CE. TUBLR	0.1uF	50V
D1	VG437200	DIODE. ZENR	MTZJ4.7C	4.7V
D11	iF004600	DIODE	1SS133	
D13	VG437400	DIODE. ZENR	MTZJ5.1B	5.1V
D14	iF004600	DIODE	1SS133	
D15	iF004600	DIODE	1SS133	
* D17	VG442000	DIODE. ZENR	MTZJ22A	22V
* D18	VG437700	DIODE. ZENR	MTZJ5.6B	5.6V
D19	VH770800	DIODE	1SR139-100	
D20	VH770800	DIODE	1SR139-100	
D21	VH770800	DIODE	1SR139-100	
D22	VH770800	DIODE	1SR139-100	
D23	VH770800	DIODE	1SR139-100	
D24	VH770800	DIODE	1SR139-100	
D33	iF004600	DIODE	1SS133	
D34	iF004600	DIODE	1SS133	
* D301	VG437900	DIODE. ZENR	MTZJ6.2A	6.2V
D401	iF008730	LED(re)	SLR-34URC3H3	
D402	iF004600	DIODE	1SS133	
D403	iF004600	DIODE	1SS133	
D404	iF004600	DIODE	1SS133	
D405	iF004600	DIODE	1SS133	
D406	iF004600	DIODE	1SS133	
* IC1	XM571A00	IC	AN8803SB	
IC3	XF494A00	IC	LB1641	
* IC6	XN105A00	IC	LA6536M	
* IC11	XN481A00	IC	MN66270RB	
* IC12	XN443A00	IC	uPD75217CW-230	
* IC15	XM683A00	IC	X24C00P	
IC16	iR012500	IC	TC74HC125AP	
* IC17	XM911A00	IC	YAC514-F	
IC18	iG142200	IC	TC74HCU04AP	
IC21	XA987001	IC	NJM2068D-D	
IC22	XA987001	IC	NJM2068D-D	
IC23	XA673A00	IC	NJM5532D-D	
IC24	XA673A00	IC	NJM5532D-D	
IC27	XD201A00	IC	M5290P	
IC35	Xi249A00	IC	BA15218	
* JK401	VR422500	JACK. PHONE		
L5	VB056900	COIL	220uH	
L6	VB056900	COIL	220uH	

* New Parts

Schm Ref.	PART NO.	Description		
L7	VB056900	COIL	220uH	
L8	VB056900	COIL	220uH	
L9	VP133800	FER. BEAD	BL02RN1-R62T4	
L10	VB056900	COIL	220uH	
L11	VB056900	COIL	220uH	
L12	VB056900	COIL	220uH	
L14	VD473700	COIL	60uH	
L15	VP133800	FER. BEAD	BL02RN1-R62T4	
L16	VP133800	FER. BEAD	BL02RN1-R62T4	
L18	Vi530800	TRANS. PULS	3PTD-001	
L19	VB871100	FER. BEAD	BL02RN2-R62	
L20	VP133800	FER. BEAD	BL02RN1-R62T4	
L21	VP133800	FER. BEAD	BL02RN1-R62T4	
L401	VD473700	COIL	60uH	
L402	VD473700	COIL	60uH	
L403	VD473700	COIL	60uH	
△ L404	VH227500	FLTR	20uH SU10VD-10020	
L405	Vi491100	FER. CORE	BP53RB19012080M	
L406	Vi491100	FER. CORE	BP53RB19012080M	
L407	VP133800	FER. BEAD	BL02RN1-R62T4	
PJ1	VJ898400	JACK. PIN	2P	
PJ3	VG020100	JACK. PIN	1P	
Q1	iB054430	TR	2SB544 D, E, F, G	
Q7	iA093320	TR	2SA933S Q, R	
△ Q8	iD040040	TR	2SD400	
△ Q9	VC614000	TR	2SB1274 Q, R, S	
Q12	iA093320	TR	2SA933S Q, R	
Q17	iC287820	TR	2SC2878 A, B	
Q18	iC287820	TR	2SC2878 A, B	
Q19	iC287820	TR	2SC2878 A, B	
Q20	iC287820	TR	2SC2878 A, B	
△ Q301	VC407900	TR	2SD1913 R, S	
R26	HV454100	R. CAR. FP	10 Ω 1/4W	
R46	Vi868300	R. FUS	0.68 Ω 1/6W	
R110	HV455100	R. CAR. FP	100 Ω 1/4W	
R111	HV455100	R. CAR. FP	100 Ω 1/4W	
R137	HV455100	R. CAR. FP	100 Ω 1/4W	
R142	HV455100	R. CAR. FP	100 Ω 1/4W	
△ SW401	Vi272700	SW. PUSH		
SW403	VG392900	SW. TACT	SKHVAA	
SW405	VG392900	SW. TACT	SKHVAA	
SW406	VG392900	SW. TACT	SKHVAA	
SW407	VG392900	SW. TACT	SKHVAA	
SW408	VG392900	SW. TACT	SKHVAA	
SW409	VG392900	SW. TACT	SKHVAA	
SW411	VG392900	SW. TACT	SKHVAA	
SW413	VG392900	SW. TACT	SKHVAA	
SW414	VG392900	SW. TACT	SKHVAA	
SW416	VG392900	SW. TACT	SKHVAA	
SW418	VG392900	SW. TACT	SKHVAA	
SW420	VG392900	SW. TACT	SKHVAA	
SW421	VG392900	SW. TACT	SKHVAA	
SW422	VG392900	SW. TACT	SKHVAA	

* New Parts

CDX-580/880

CDX-580 P.C.B. MAIN

Schm Ref.	PART NO.	Description	
SW423	VG392900	SW. TACT	SKHVAA
SW427	VG392900	SW. TACT	SKHVAA
SW428	VG392900	SW. TACT	SKHVAA
SW430	VG392900	SW. TACT	SKHVAA
△* T401	XN393A00	TRANS. PWR	(G)
△* T401	XN395A00	TRANS. PWR	(B)
TP1	VL448600	JUMPER. TST	
TP2	VL448600	JUMPER. TST	
* U401	VQ395300	L. DETCT	SBX1780-52
* V401	VR061600	FL. DSPLY	9-MT-133GK
XL1	VJ677200	RSNR. CE	4.19MHz
XL2	VJ719800	RSNR. CRYST	16.9344MHz
	CB644670	COVER. CAP	
	VB966900	CN	IMSA-6024
* VQ713200		GND. MTL	
* VQ713000		SUPRT	FL
* VQ948800		SHEET	FL
* Vi835500		HEAT. SINK	PH-0124S-B
* VR110000		HEAT. SINK	UOT-16CS25

* New Parts

CDX-880 P.C.B. MAIN

Schm Ref.	PART NO.	Description		
*	VR396700	P. C. B.	MAIN(B)	
*	VR396800	P. C. B.	MAIN(G)	
CB1	VD004800	CN. BS. PIN	5P	
CB2	VD005100	CN. BS. PIN	8P	
CB3	VK506300	CN. BS. PIN	8P	
CB4	VD004900	CN. BS. PIN	6P	
CB5	VD004800	CN. BS. PIN	5P	
* CB6	VQ047800	CN. BS. PIN	27P	
CB8	VD004800	CN. BS. PIN	5P	
CB9	VD004700	CN. BS. PIN	4P	
CB10	VD004900	CN. BS. PIN	6P	
CB11	VD004600	CN. BS. PIN	3P	
CB12	VK184500	CN. BS. PIN	7P	
CB22	VG067200	L. EMIT	TOTX174	
CB403	VG879900	CN. BS. PIN	2P	
CB406	VR062400	CN. BS. PIN	27P	
CB413	VD004900	CN. BS. PIN	6P	
C1	VF760000	C. EL	100uF	10V
C7	VH053100	C. CE. TUBLR	0.1uF	50V
C8	VJ837200	C. EL	47uF	16V
C12	VH053100	C. CE. TUBLR	0.1uF	50V
C13	VH053100	C. CE. TUBLR	0.1uF	50V
C14	UA654470	C. MYLAR	0.047uF	50V
C15	UA653470	C. MYLAR	4700pF	50V
C16	UA652100	C. MYLAR	100pF	50V
C17	UA653220	C. MYLAR	2200pF	50V
C18	UA653220	C. MYLAR	2200pF	50V
C19	VH053100	C. CE. TUBLR	0.1uF	50V
C20	VJ839100	C. EL	1uF	50V
C21	UA655100	C. MYLAR	0.1uF	50V
C22	VH053100	C. CE. TUBLR	0.1uF	50V
C23	VG278800	C. CE. TUBLR	560pF	50V
C24	VR498100	C. EL	6.8uF	6.3V
C25	VF467300	C. CE. TUBLR	0.01uF	16V
C26	UA653180	C. MYLAR	1800pF	50V
C27	UA653220	C. MYLAR	2200pF	50V
C28	UA655100	C. MYLAR	0.1uF	50V
C29	VH053100	C. CE. TUBLR	0.1uF	50V
C30	VF760000	C. EL	100uF	10V
C31	VH053100	C. CE. TUBLR	0.1uF	50V
* C32	UA654240	C. MYLAR	0.024uF	50V
C33	VH053100	C. CE. TUBLR	0.1uF	50V
C34	UK665470	C. EL	0.47uF	50V
C35	VH053100	C. CE. TUBLR	0.1uF	50V
C36	VH053100	C. CE. TUBLR	0.1uF	50V
C39	VH053100	C. CE. TUBLR	0.1uF	50V
C40	VF760000	C. EL	100uF	10V
C41	VH053100	C. CE. TUBLR	0.1uF	50V
C42	VH053100	C. CE. TUBLR	0.1uF	50V
C43	VH053100	C. CE. TUBLR	0.1uF	50V
C45	VH053100	C. CE. TUBLR	0.1uF	50V
C48	VG287100	C. EL	470uF	10V
C49	VH053100	C. CE. TUBLR	0.1uF	50V

* New Parts

Schm Ref.	PART NO.	Description		
C50	VH053100	C. CE. TUBLR	0.1uF	50V
C51	VH053100	C. CE. TUBLR	0.1uF	50V
C52	VA761400	C. CE	47pF	50V
C53	VA761400	C. CE	47pF	50V
C54	VF466600	C. CE. TUBLR	10pF	50V
C55	VH053100	C. CE. TUBLR	0.1uF	50V
C56	VG287100	C. EL	470uF	10V
C57	VF466600	C. CE. TUBLR	10pF	50V
C58	VF466600	C. CE. TUBLR	10pF	50V
C59	VH053100	C. CE. TUBLR	0.1uF	50V
C60	VG287100	C. EL	470uF	10V
C61	VF466600	C. CE. TUBLR	10pF	50V
C63	UA654100	C. MYLAR	0.01uF	50V
C64	VP847100	C. PP	2200pF	100V
C65	UA654100	C. MYLAR	0.01uF	50V
C66	VP809500	C. EL	100uF	10V
C67	UA654100	C. MYLAR	0.01uF	50V
C68	VP847100	C. PP	2200pF	100V
C69	UA654100	C. MYLAR	0.01uF	50V
C70	VP809500	C. EL	100uF	10V
C71	UJ865680	C. EL	0.68uF	50V
C72	VG287100	C. EL	470uF	10V
C73	VG287100	C. EL	470uF	10V
C74	UM416470	C. EL	4.7uF	50V
C76	UM416470	C. EL	4.7uF	50V
C77	UM416470	C. EL	4.7uF	50V
C78	Vi716400	C. MYLAR	5600pF	50V
C79	Vi715900	C. MYLAR	2200pF	50V
C80	Vi715900	C. MYLAR	2200pF	50V
C81	Vi716400	C. MYLAR	5600pF	50V
C82	VK534100	C. PP	0.01uF	100V
C83	VN137400	C. EL	1000uF	16V
C84	UT454100	C. PP	0.01uF	100V
* C85	VR420400	C. EL	6800uF	16V
C87	UG444100	C. CE	0.01uF	50V
C88	UJ668100	C. EL	100uF	50V
C89	UJ667470	C. EL	47uF	50V
C90	VJ836900	C. EL	10uF	16V
C91	VJ836900	C. EL	10uF	16V
C92	VR619800	C. EL	10uF	16V
C93	VR619800	C. EL	10uF	16V
C94	VF467300	C. CE. TUBLR	0.01uF	16V
C95	VF760000	C. EL	100uF	10V
C96	VF467300	C. CE. TUBLR	0.01uF	16V
C97	UJ638330	C. EL	330uF	16V
C100	UJ638330	C. EL	330uF	16V
C101	VH053100	C. CE. TUBLR	0.1uF	50V
C102	UM397330	C. EL	33uF	16V
C103	VG278600	C. CE. TUBLR	330pF	50V
C105	VL883800	C. PP	2200pF	100V
C106	VL883800	C. PP	2200pF	100V
C107	VG278600	C. CE. TUBLR	330pF	50V
C110	UM397330	C. EL	33uF	16V

* New Parts

Schm Ref.	PART NO.	Description
C111	UM397330	C. EL 33uF 16V
C300	VF760000	C. EL 100uF 10V
C301	UK665470	C. EL 0.47uF 50V
C305	VF760000	C. EL 100uF 10V
C319	VF467000	C. CE. TUBLR 1000pF 50V
C330	VP809500	C. EL 100uF 10V
C331	VP809500	C. EL 100uF 10V
C332	VG287800	C. EL 330uF 16V
C401	VF760000	C. EL 100uF 10V
△ C402	VE179200	C. CE. SAFTY 0.01uF 400V
△ C403	VE179200	C. CE. SAFTY 0.01uF 400V
C404	UG444100	C. CE 0.01uF 50V
C405	UG444100	C. CE 0.01uF 50V
C406	UG444100	C. CE 0.01uF 50V
C407	VG280100	C. CE. TUBLR 0.022uF 25V
C408	VH053100	C. CE. TUBLR 0.1uF 50V
C409	VH053100	C. CE. TUBLR 0.1uF 50V
C410	VH053100	C. CE. TUBLR 0.1uF 50V
C412	VH053100	C. CE. TUBLR 0.1uF 50V
D1	VG437200	DIODE. ZENR MTZJ4.7C 4.7V
D3	iF004600	DIODE 1SS133
D4	iF004600	DIODE 1SS133
D5	iF004600	DIODE 1SS133
D6	iF004600	DIODE 1SS133
D7	iF004600	DIODE 1SS133
D8	iF004600	DIODE 1SS133
D11	iF004600	DIODE 1SS133
D13	VG437400	DIODE. ZENR MTZJ5.1B 5.1V
D14	iF004600	DIODE 1SS133
D15	iF004600	DIODE 1SS133
D17	VG442000	DIODE. ZENR MTZJ22A 22V
D18	VG437700	DIODE. ZENR MTZJ5.6B 5.6V
D19	VH770800	DIODE 1SR139-100
D20	VH770800	DIODE 1SR139-100
D21	VH770800	DIODE 1SR139-100
D22	VH770800	DIODE 1SR139-100
D23	VH770800	DIODE 1SR139-100
D24	VH770800	DIODE 1SR139-100
D25	iF004600	DIODE 1SS133
D26	iF004600	DIODE 1SS133
D27	iF004600	DIODE 1SS133
D28	iF004600	DIODE 1SS133
D29	iF004600	DIODE 1SS133
D30	iF004600	DIODE 1SS133
D31	iF004600	DIODE 1SS133
D32	iF004600	DIODE 1SS133
D33	iF004600	DIODE 1SS133
D34	iF004600	DIODE 1SS133
D35	VG438100	DIODE. ZENR MTZJ6.2C 6.2V
D301	VG437900	DIODE. ZENR MTZJ6.2A 6.2V
D401	iF008730	LED (re) SLR-34URC3H3
D402	iF004600	DIODE 1SS133
* IC1	XM571A00	IC AN8803SB

Schm Ref.	PART NO.	Description
IC3	XF494A00	IC LB1641
* IC6	XN105A00	IC LA6536M
* IC11	XN481A00	IC MN66270RB
* IC12	XN443A00	IC uPD75217CW-230
* IC15	XM683A00	IC X24COOP
IC16	iR012500	IC TC74HC125AP
* IC17	XM911A00	IC YAC514-F
IC18	iG142200	IC TC74HCU04AP
IC21	XA987001	IC NJM2068D-D
IC22	XA987001	IC NJM2068D-D
IC23	XA673A00	IC NJM5532D-D
IC24	XA673A00	IC NJM5532D-D
IC27	XD201A00	IC M5290P
IC34	XF494A00	IC LB1641
IC35	Xi249A00	IC BA15218
* JK401	VR422300	JACK. PHONE YKB22-5138
L5	VB056900	COIL 220uH
L6	VB056900	COIL 220uH
L7	VB056900	COIL 220uH
L8	VB056900	COIL 220uH
L9	VP133800	FER. BEAD BL02RN1-R62T4
L10	VB056900	COIL 220uH
L11	VB056900	COIL 220uH
L12	VB056900	COIL 220uH
L13	VD473700	COIL 60uH
L14	VD473700	COIL 60uH
L15	VP133800	FER. BEAD BL02RN1-R62T4
L16	VP133800	FER. BEAD BL02RN1-R62T4
L18	Vi530800	TRANS. PULS 3PTD-001
L19	VB871100	FER. BEAD BL02RN2-R62
L20	VP133800	FER. BEAD BL02RN1-R62T4
L21	VP133800	FER. BEAD BL02RN1-R62T4
L22	VP133800	FER. BEAD BL02RN1-R62T4
L23	VP133800	FER. BEAD BL02RN1-R62T4
L401	VD473700	COIL 60uH
L402	VD473700	COIL 60uH
L403	VD473700	COIL 60uH
△ L404	VH227500	FLTR 20uH SU10VD-10020
L405	Vi491100	FER. CORE BP53RB19012080M
L406	Vi491100	FER. CORE BP53RB19012080M
L407	VP133800	FER. BEAD BL02RN1-R62T4
PJ1	VF645900	JACK. PIN 2P
PJ2	VF645900	JACK. PIN 2P
PJ3	VK525600	JACK. PIN 1P
Q1	iB054430	TR 2SB544 D, E, F, G
Q7	iA093320	TR 2SA933S Q, R
△ Q8	iD040040	TR 2SD400
△ Q9	VC614000	TR 2SB1274 Q, R, S
Q12	iA093320	TR 2SA933S Q, R
Q13	iD040040	TR 2SD400
Q14	iB054430	TR 2SB544 D, E, F, G
Q15	iB054430	TR 2SB544 D, E, F, G
Q16	iD040040	TR 2SD400

* New Parts

* New Parts

CDX-880 P.C.B. MAIN & ROLLING SW

Schm Ref.	PART NO.	Description
Q17	iC287820	TR 2SC2878 A,B
Q18	iC287820	TR 2SC2878 A,B
Q19	iC287820	TR 2SC2878 A,B
Q20	iC287820	TR 2SC2878 A,B
△ Q301	VC407900	TR 2SD1913 R,S
△ R26	HV454100	R. CAR. FP 10Ω 1/4W
R46	Vi868300	R. FUS 0.68Ω 1/6W
R110	HV455100	R. CAR. FP 100Ω 1/4W
R111	HV455100	R. CAR. FP 100Ω 1/4W
R137	HV455100	R. CAR. FP 100Ω 1/4W
R142	HV455100	R. CAR. FP 100Ω 1/4W
△ R151	HV454100	R. CAR. FP 10Ω 1/4W
△ SW401	Vi272700	SW. PUSH
SW422	VG392900	SW. TACT SKHVAA
SW423	VG392900	SW. TACT SKHVAA
SW430	VG392900	SW. TACT SKHVAA
△ * T401	XN393A00	TRANS. PWR (G)
△ * T401	XN395A00	TRANS. PWR (B)
TP1	VL448600	JUMPER. TST
TP2	VL448600	JUMPER. TST
* U401	VQ395300	L. DETCT SBX1780-52
* V401	VR061600	FL. DSPLY 9-MT-133GK
VR401	VK084000	VR. MTR B20KΩ x2
XL1	VJ677200	RSNR. CE 4.19MHz
XL2	VJ719800	RSNR. CRYST 16.9344MHz
Z8	CB644670	COVER. CAP
Z9	VB966900	CN IMSA-6024
* Z21	VQ713100	GND. MTL
* Z22	VQ713000	SUPRT FL
* Z23	VQ948800	SHEET FL
Z24	Vi835500	HEAT. SINK PH-0124S-B
Z25	VR110000	HEAT. SINK UOT-16CS25

* New Parts

Schm Ref.	PART NO.	Description
* VR195100		P. C. B.
SW900	VG392900	SW. TACT SKHVAA
SW901	VG392900	SW. TACT SKHVAA
SW902	VG392900	SW. TACT SKHVAA
SW903	VG392900	SW. TACT SKHVAA
SW904	VG392900	SW. TACT SKHVAA
SW905	VG392900	SW. TACT SKHVAA
SW906	VG392900	SW. TACT SKHVAA
SW907	VG392900	SW. TACT SKHVAA
SW908	VG392900	SW. TACT SKHVAA
SW909	VG392900	SW. TACT SKHVAA
SW910	VG392900	SW. TACT SKHVAA
SW911	VG392900	SW. TACT SKHVAA
SW912	VG392900	SW. TACT SKHVAA
SW913	VG392900	SW. TACT SKHVAA
SW914	VG392900	SW. TACT SKHVAA
SW915	VG392900	SW. TACT SKHVAA
SW916	VG392900	SW. TACT SKHVAA
SW917	VG392900	SW. TACT SKHVAA
SW918	VG392900	SW. TACT SKHVAA
SW919	VG392900	SW. TACT SKHVAA
SW920	VG392900	SW. TACT SKHVAA
SW921	VG392900	SW. TACT SKHVAA
SW922	VG392900	SW. TACT SKHVAA

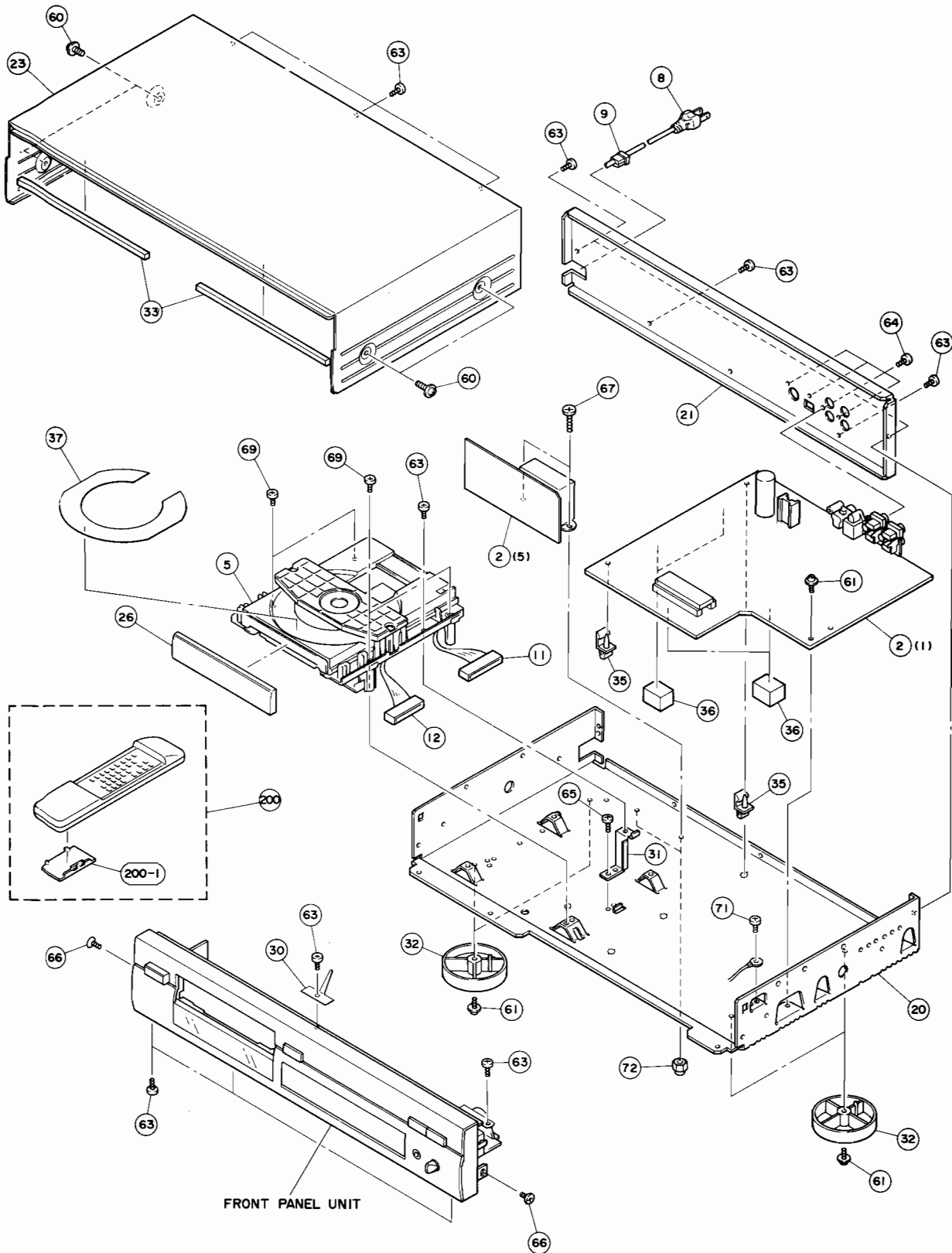
* New Parts

CDX-580/880

CDX-580/880

CDX-580 CDX-880

EXPLODED VIEW



CDX-580 CDX-880

MECHANICAL PARTS

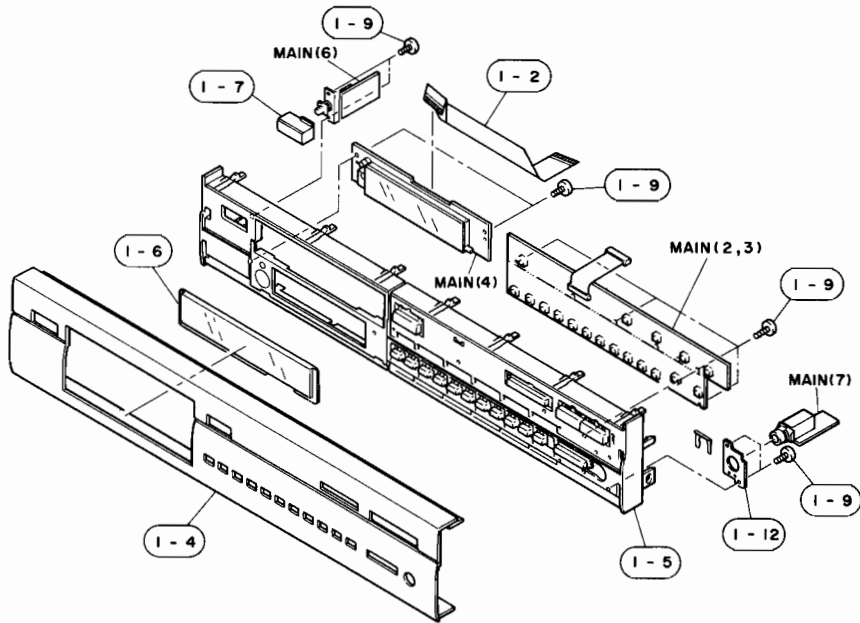
Ref. No.	PART NO.	Description	Remarks	Markets
* 2	VR396500	P. C. B. ASS'Y	MAIN	CDX-580 (B)
* 2	VR396600	P. C. B. ASS'Y	MAIN	CDX-580 (G)
* 2	VR396700	P. C. B. ASS'Y	MAIN	CDX-880 (B)
* 2	VR396800	P. C. B. ASS'Y	MAIN	CDX-880 (G)
* 5	VQ905800	CD MECHANISM UNIT	KSL-210ABM	
△ * 8	VL238900	POWER CORD ASS'Y		(G)
△ 8	VN804500	POWER CORD ASS'Y		(B)
9	VN158600	CORD STOPPER	No. 2104	
* 11	VR207400	CONNECTOR ASS'Y	8P 150mm	
12	VM987900	CONNECTOR ASS'Y	8P 160mm	
* 20	VQ709000	CHASSIS		
* 21	VQ709600	REAR PANEL		CDX-580 (B)
* 21	VQ709700	REAR PANEL		CDX-580 (G)
* 21	VQ709800	REAR PANEL		CDX-880 (B)
* 21	VQ709900	REAR PANEL		CDX-880 (G)
* 23	VQ709200	TOP COVER		BL
* 23	VQ709300	TOP COVER		TI
* 26	VQ710900	LID		BL
* 26	VQ711000	LID		TI
* 30	VQ775900	GROUND PLATE		
* 31	VQ789400	GROUND PLATE		
* 32	VQ780300	LEG	D60xH16	
* 33	VQ861300	CUSHION	TOP	
35	VA772900	SUPPORT, P. C. B.	No. 2127	
* 36	VQ861500	CUSHION	SHEET	
37	VR605200	TRAY MAT		CDX-880
60	EL300470	BW HEAD S-TITE SCREW	4x8-10 FCRM3-BL	BL
60	EX601150	BW HEAD S-TITE SCREW	4x8-10 FNM3-BL	TI
61	EK930010	BW HEAD TAPPING SCREW	3x8-8 FCRM3-BL	
63	EN301010	BIND HEAD BONDING TAP. SCREW	3x8 FCRM3-BL	
64	EX602710	BIND HEAD BONDING P-T. SCREW	3x8 FCRM3-BL	
65	EN340030	BIND HEAD BONDING B-T. SCREW	3x6 FCRM3-BL	
66	EO030066	FLAT HEAD SCREW	3x6 ZMC2-Y	
67	EK396010	BIND HEAD S-TITE SCREW	4x8 FCRM3-BL	
69	Ei330086	BIND HEAD B-TITE SCREW	3x8 FCRM3-BL	
71	EX602860	BIND HEAD B-TITE SCREW	3x8 FCM3-CU	
72	EX601580	HEXAGONAL BLIND NUT	4mm FCRM3-BL	
* 200	VQ950100	ACCESSORIES REMOTE CONTROL TRANSMITTER	CDX-880	
200-1	CX675150	LID	54x32.9BLALPS	
	VN159900	PIN-PLUG CORD BATTERY, MANGANESE	2P 1.0m SUM-3, AA, R06	

* New Parts

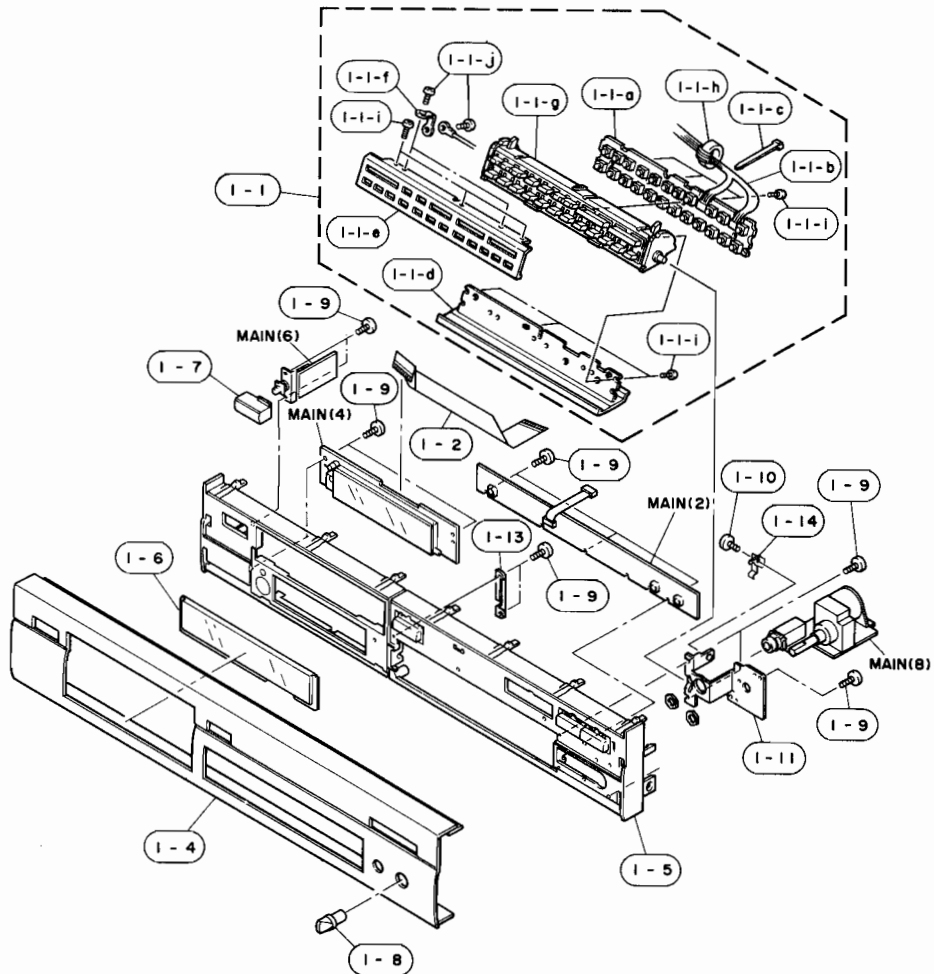
CDX-580/880

EXPLODED VIEW (Panel Unit)

CDX-580



CDX-880



MECHANICAL PARTS (Panel Unit)

CDX-580

Ref. No.	PART NO.	Description	Remarks	Markets
* 1- 2	VR119100	CONNECTOR, FLAT CABLE	27P 250mm	
* 1- 4	VQ708400	FRONT PANEL		BL
* 1- 4	VQ708500	FRONT PANEL		TI
* 1- 5	VQ708800	SUB PANEL		BL
* 1- 5	VQ708900	SUB PANEL		TI
* 1- 6	VQ710600	WINDOW PANEL		
1- 7	VQ780000	BUTTON		BL
1- 7	VQ780100	BUTTON		TI
1- 9	EP630290	BIND HEAD P-TITE SCREW	3x6 FCRM3-BL	
* 1-12	VQ890600	SUPPORT	HP	

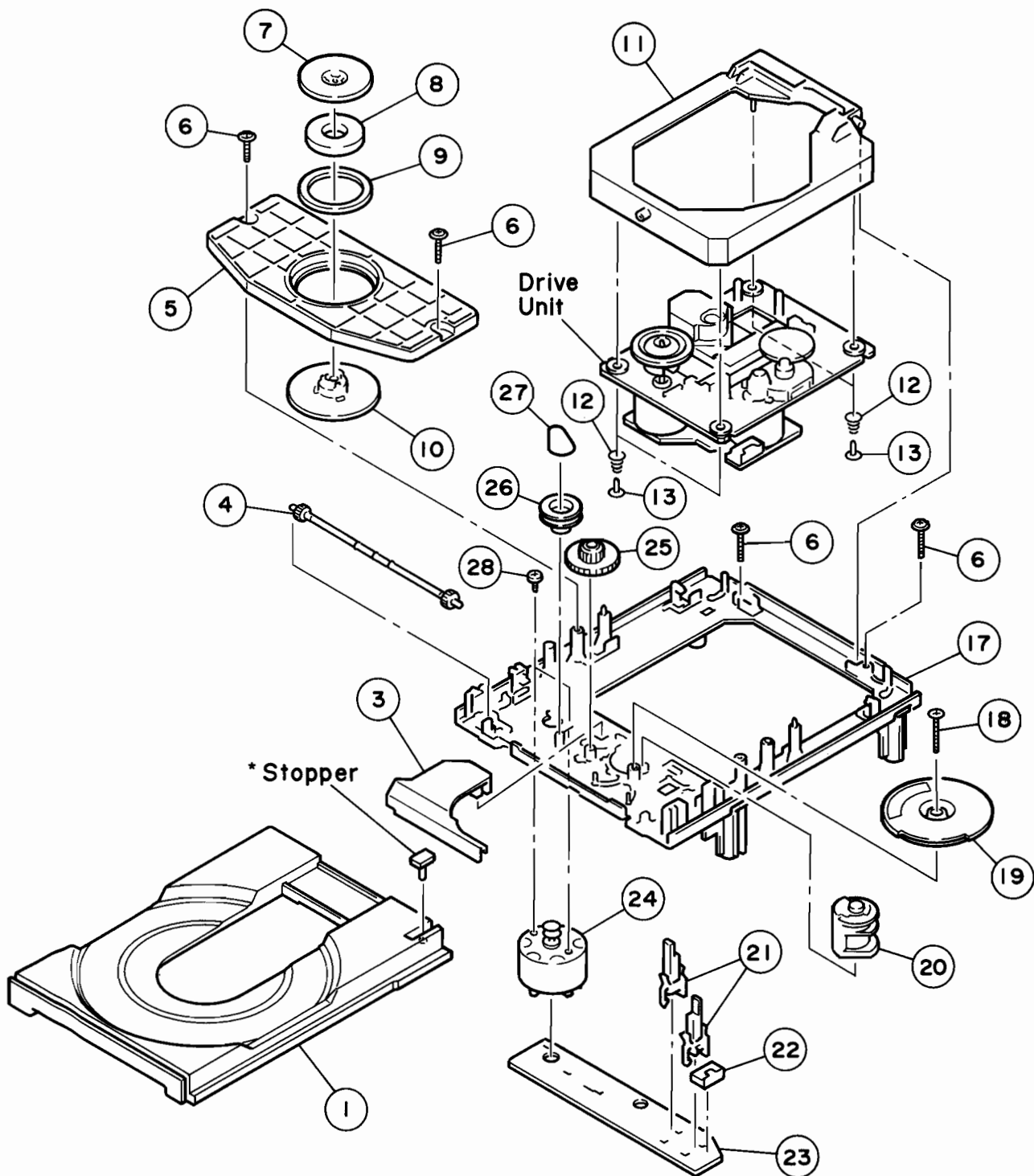
* New Parts

CDX-880

Ref. No.	PART NO.	Description	Remarks	Markets
* 1-1	VR401700	ROLLING SWITCH ASS'Y		BL
* 1-1	VR413000	ROLLING SWITCH ASS'Y		TI
* 1-1-a	VR195100	P. C. B. ASS'Y	ROLLING SW	
* 1-1-b	VN034200	CONNECTOR ASS'Y	1P 200mm	
1-1-c	VK341000	BINDING TIE	8904A3106	
* 1-1-d	VQ856700	ROLLING PANEL T		BL
* 1-1-d	VQ856800	ROLLING PANEL T		TI
* 1-1-e	VQ856900	ROLLING PANEL L		BL
* 1-1-e	VQ857000	ROLLING PANEL L		TI
1-1-f	VL706400	GROUND PLATE		
1-1-g	VL708600	BUTTON, ROLLING		BL
1-1-g	VP815300	BUTTON, ROLLING		TI
1-1-h	Vi491100	FERRITE CORE	BP53RB19012080M	
1-1-i	VD294600	BIND HEAD P-TITE SCREW	2x6 FCRM3-BL	
1-1-j	Ei326066	BIND HEAD TAPPING SCREW	2.6x6 ZMC2-BL	
* 1-2	VR119100	CONNECTOR, FLAT CABLE	27P 250mm	
* 1-4	VQ708200	FRONT PANEL		BL
* 1-4	VQ708300	FRONT PANEL		TI
* 1-5	VQ708800	SUB PANEL		BL
* 1-5	VQ708900	SUB PANEL		TI
* 1-6	VQ710600	WINDOW PANEL		
* 1-7	VQ780000	BUTTON		BL
* 1-7	VQ780100	BUTTON		TI
* 1-8	VQ712800	KNOB, VR		BL
* 1-8	VQ712900	KNOB, VR		TI
1-9	EP630290	BIND HEAD P-TITE SCREW	3x6 FCRM3-BL	
1-10	Ei030046	BIND HEAD TAPPING SCREW	3x4 ZMC2-Y	
* 1-11	VQ712400	SUPPORT	HP	
* 1-13	VQ712500	SUPPORT	RP	
1-14	VL810800	SPRING	P	

* New Parts

CDX-580/880

CDX-580 CDX-880**■ EXPLODED VIEW (CD Mach. Unit)**

* The stopper is not supplied with the tray as a spare part.
When replacing the tray, keep the removed stopper and reuse it.

CDX-580 CDX-880

MECHANICAL PARTS (CD Macha. Unit)

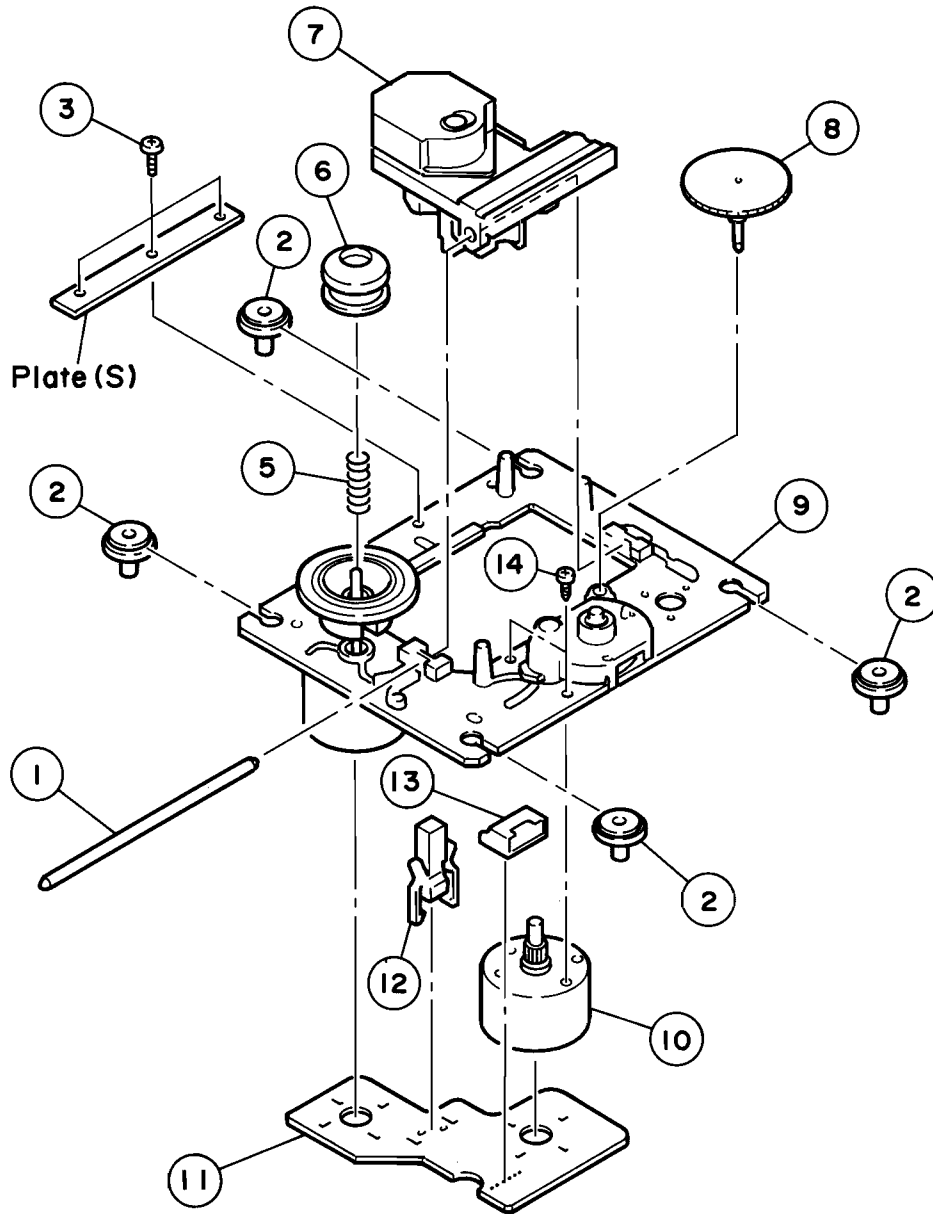
Ref. No.	PART NO.	Description	Remarks	Markets
*	VQ905800	CD MECHANISM UNIT	KSL-2101ABM	
* 1	CX675290	TRAY (S)		262555003
* 3	CX675250	GEAR COVER (S)		262554402
* 4	CX675210	TRAY GEAR (S)		262553501
* 5	AX619150	CHUCKING PLATE (S)		262554601
* 6	EX602890	BW HEAD P-TITE SCREW	2.6x7	262629401
* 7	BX602660	CHUCKING YOKE (S)		262553701
8	NX610570	MAGNET ASS'Y		145249321
* 9	CX675240	DAMPER (S)		262554102
* 10	CX675280	CHUCKING PULLEY (S)		262554802
* 11	NX613060	SUB CHASSIS ASS'Y (S)		X26252272
* 12	AX619140	SPRING (S)		262553901
* 13	AX619180	SCREW WITH WASHER		262573001
* 17	AX619160	MAIN CHASSIS (S), OUTSERT		262555206
* 18	VH554700	BW HEAD P-TITE SCREW	2.6x16	331950151
* 19	CX675270	DRIVE GEAR (S)		262554703
* 20	CX675260	CONTROL CAM (S)		262554504
* 21	KX604180	LEAF SWITCH		157208611
* 22	LX608390	CONNECTOR PIN	5P	156472111
* 23	NX613050	PWB, LOADIND (S)		164052312
* 24	JX601470	LOADING MOTOR		X26251171
* 25	CX675200	CENTER GEAR (S)		262553402
* 26	CX675220	LOADING PULLEY (S)		262553602
27	CX672840	BELT, LOADING MOTOR		365338701
* 28	EX602880	SCREW	2.6x2.5	262527901

* New Parts

CDX-580/880

CDX-580 CDX-880

EXPLODED VIEW (Drive Unit)

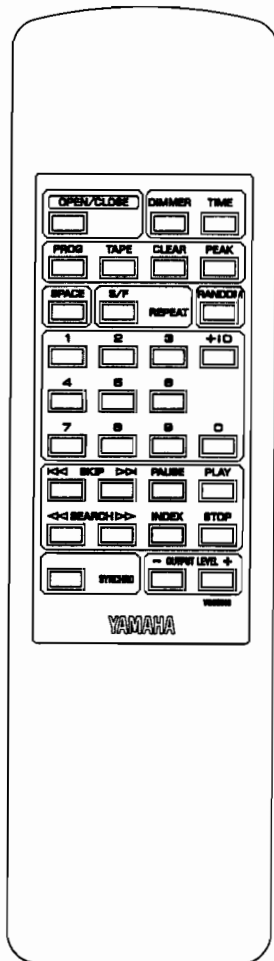
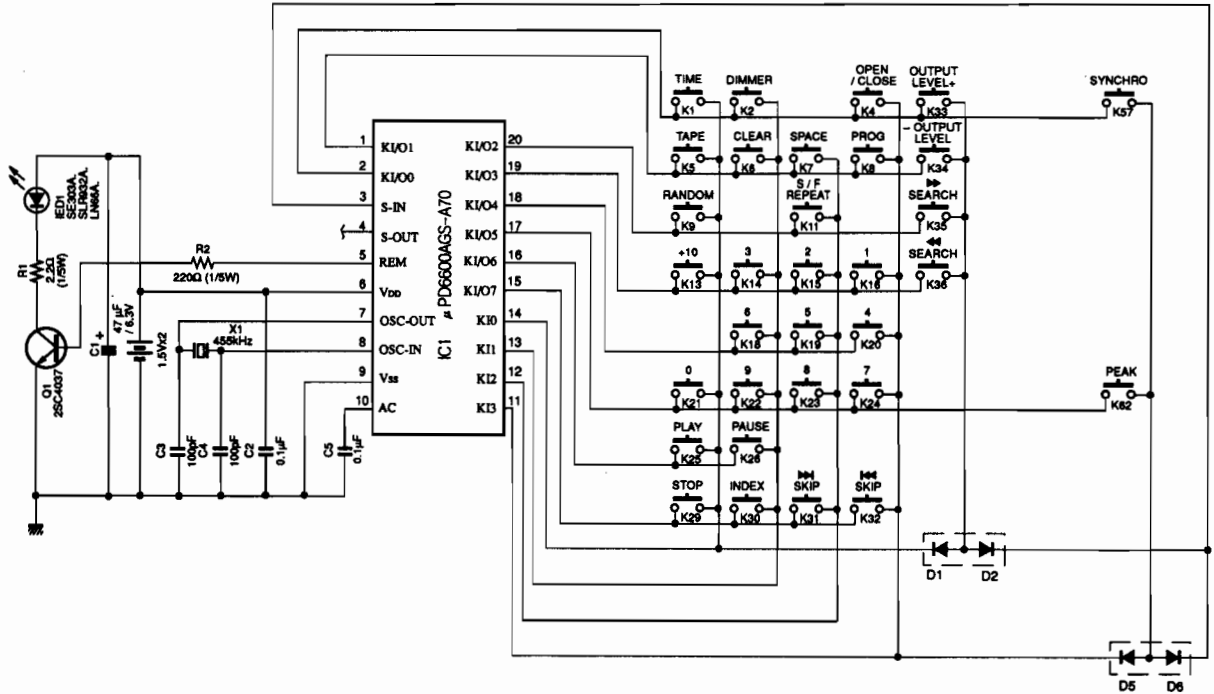


Ref. No.	PART NO.	Description	Remarks	Markets
* 1	AX619110	SLED SHAFT (S)		262546401
* 2	CX675230	INSULATOR (S)		262553801
3	AX607540	SPECIAL SCREW	2x5	2641386
* 5	AX619120	COIL SPRING (S)		262546501
* 6	AX619130	CENTER RING, LO (S)		262547701
7	PX600431	LASER PICK UP	KSS-210A	8848127
* 8	CX675190	GEAR, A (S)		262546201
9	NX610600	CHASSIS ASS'Y, T.T.		X26251332
10	NX610610	MOTOR GEAR ASS'Y		X26251321
* 11	NX613040	PWB, MOTOR	6P	163967813
12	KX603720	LEAF SWITCH		157208512
* 13	LX608400	CONNECTOR	6P	1564722
14	EAO20036	PAN HEAD SCREW	2x3 ZMC2-Y	762125515

* New Parts

REMOTE CONTROL TRANSMITTER

■ SCHEMATIC DIAGRAM



KEY No.	FUNCTION	CUSTOM CODE (HEX)	REVERSE CUSTAOOM CODE (HEX)	DATA CODE (HEX)	REMARKS	
					D0	D7
K1	TIME	79	86	0A	01010000	
K2	DIMMER	79	86	1E	01111000	
K4	OPEN/CLOSE	79	86	01	10000000	
K5	TAPE	79	86	57	11101010	
K6	CLEAR	79	86	0D	10110000	
K7	SPACE	79	86	0F	11110000	
K8	PROG	79	86	0C	00110000	
K9	RANDOM	79	86	1B	11011000	
K11	S/F REPEAT	79	86	08	00010000	
K13	+10	79	86	1A	01011000	
K14	3	79	86	13	11001000	
K15	2	79	86	12	01001000	
K16	1	79	86	11	10001000	
K18	6	79	86	16	01101000	
K19	5	79	86	15	10101000	
K20	4	79	86	14	00101000	
K21	0	79	86	10	00001000	
K22	9	79	86	19	10011000	
K23	8	79	86	18	00011000	
K24	7	79	86	17	11101000	
K25	PLAY	79	86	02	01000000	
K26	PAUSE	79	86	55	10101010	
K29	STOP	79	86	56	01101010	
K30	INDEX	79	86	0B	11010000	
K31	SKIP ►►	79	86	07	11100000	
K32	◄◄ SKIP	79	86	04	00100000	
K33	OUTPUT LEVEL +	79	86	1D	10111000	
K34	- OUTPUT LEVEL	79	86	1C	00111000	
K35	SEARCH ►►	79	86	06	01100000	
K36	◄◄ SEARCH	79	86	05	10100000	
K57	SYNCHRO	79	86	58	00011010	
K62	PEAK	79	86	5D	10111010	

CDX-580/880

Parts List for Carbon Resistors

Value	1/4W Type Part No.	1/6W Type Part No.	Value	1/4W Type Part No.	1/6W Type Part No.
1.0 Ω	HJ35 3100	HF85 3100	10 kΩ	HF45 7100	HF45 7100
1.8 Ω	HJ35 3180	*	11 kΩ	HF45 7110	HF45 7110
2.2 Ω	HJ35 3220	HF85 3220	12 kΩ	HJ35 7120	HF85 7120
3.3 Ω	HJ35 3330	HF85 3330	13 kΩ	HF45 7130	HF45 7130
4.7 Ω	HJ35 3470	HF85 3470	15 kΩ	HF45 7150	HF45 7150
5.6 Ω	HJ35 3560	HF85 3560	18 kΩ	HF45 7180	HF45 7180
10 Ω	HF45 4100	HF45 4100	22 kΩ	HF45 7220	HF45 7220
15 Ω	HJ35 4150	HF85 4150	24 kΩ	HF45 7240	HF45 7240
22 Ω	HF45 4220	HF45 4220	27 kΩ	HJ35 7270	HF85 7270
27 Ω	HJ35 4270	HF85 4270	30 kΩ	HF45 7300	HF45 7300
33 Ω	HF45 4330	HF45 4330	33 kΩ	HF45 7330	HF45 7330
39 Ω	HJ35 4470	HF85 4390	36 kΩ	HF45 7360	HF45 7360
47 Ω	HF45 4470	HF45 4470	39 kΩ	HF45 7390	HF45 7390
56 Ω	HF45 4560	HF45 4560	47 kΩ	HF45 7470	HF45 7470
68 Ω	HF45 4680	HF45 4680	51 kΩ	HF45 7510	HF45 7510
75 Ω	HF45 4750	HF45 4750	56 kΩ	HF45 7560	HF45 7560
82 Ω	HF45 4820	HF45 4820	62 kΩ	HF45 7620	HF45 7620
91 Ω	HF45 4910	HF45 4910	68 kΩ	HF45 7680	HF45 7680
100 Ω	HF45 5100	HF45 5100	82 kΩ	HF45 7820	HF45 7820
110 Ω	HJ35 5110	HF85 5110	91 kΩ	HF45 7910	HF45 7910
120 Ω	HF45 5120	HF45 5120	100 kΩ	HF45 8100	HF45 8100
150 Ω	HF45 5150	HF45 5150	110 kΩ	HF45 8110	HF45 8110
160 Ω	HJ35 5160	*	120 kΩ	HF45 8120	HF45 8120
180 Ω	HF45 5180	HF45 5180	150 kΩ	HF45 8150	HF45 8150
200 Ω	HF45 5200	HF45 5200	180 kΩ	HF45 8180	HF45 8180
220 Ω	HF45 5220	HF45 5220	220 kΩ	HJ35 8220	HF85 8220
270 Ω	HF45 5270	HF45 5270	270 kΩ	HF45 8270	HF45 8270
330 Ω	HF45 5330	HF45 5330	300 kΩ	HF45 8300	HF45 8300
390 Ω	HF45 5390	HF45 5390	330 kΩ	HF45 8330	HF45 8330
430 Ω	HF45 5430	HF45 5430	390 kΩ	HJ35 8390	HF85 8390
470 Ω	HF45 5470	HF45 5470	470 kΩ	HF45 8470	HF45 8470
510 Ω	HF45 5510	HF45 5510	560 kΩ	HJ35 8560	HF85 8560
560 Ω	HF45 5560	HF45 5560	680 kΩ	HJ35 8680	HF85 8680
680 Ω	HF45 5680	HF45 5680	820 kΩ	HJ35 8820	HF85 8820
820 Ω	HF45 5820	HF45 5820	1.0 MΩ	HF45 9100	HF45 9100
910 Ω	HF45 5910	HF45 5910	1.2 MΩ	HJ35 9120	*
1.0 kΩ	HF45 6100	HF45 6100	1.5 MΩ	HJ35 9150	HF85 9150
1.2 kΩ	HF45 6120	HF45 6120	1.8 MΩ	HJ35 9180	HF85 9180
1.5 kΩ	HF45 6150	HF45 6150	2.2 MΩ	HJ35 9220	HF85 9220
1.8 kΩ	HF45 6180	HF45 6180	3.3 MΩ	HJ35 9330	HF85 9330
2.0 kΩ	HJ35 6200	HF85 6200	3.9 MΩ	HJ35 9390	*
2.2 kΩ	HF45 6220	HF45 6220	4.7 MΩ	HJ35 9470	HF85 9470
2.4 kΩ	HJ35 6240	HF85 6240			
2.7 kΩ	HF45 6270	HF45 6270			
3.0 kΩ	HF45 6300	HF45 6300			
3.3 kΩ	HF45 6330	HF45 6330			
3.6 kΩ	HJ35 6360	HF85 6360			
3.9 kΩ	HF45 6390	HF45 6390			
4.7 kΩ	HF45 6470	HF45 6470			
5.1 kΩ	HF45 6510	HF45 6510			
5.6 kΩ	HF45 6560	HF45 6560			
6.8 kΩ	HF45 6680	HF45 6680			
8.2 kΩ	HF45 6820	HF45 6820			
9.1 kΩ	HF45 6910	HF45 6910			

